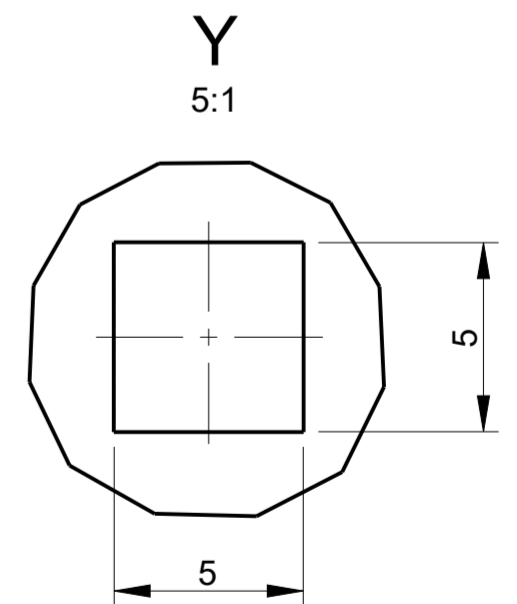
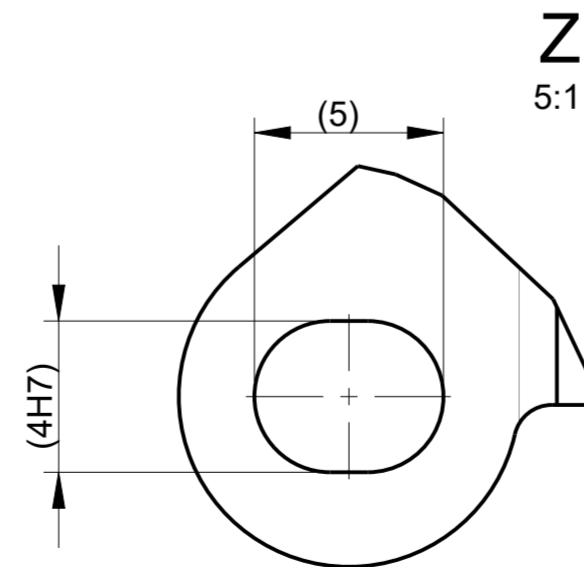
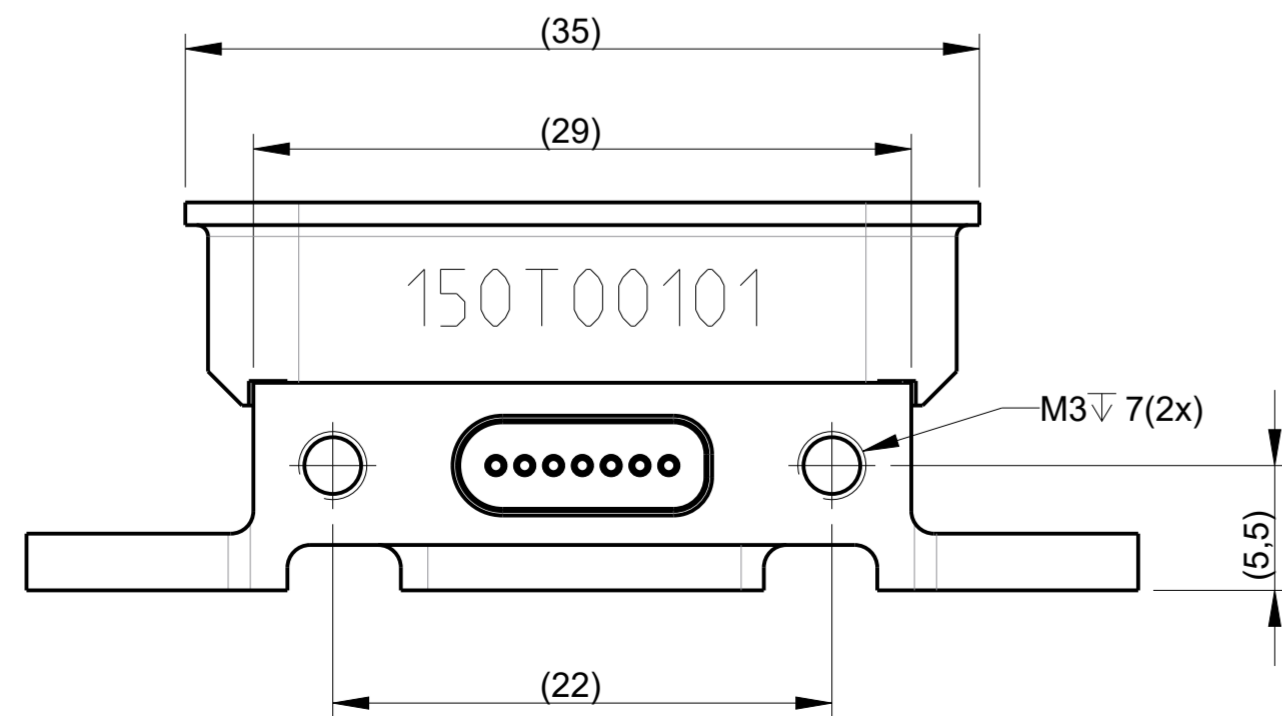
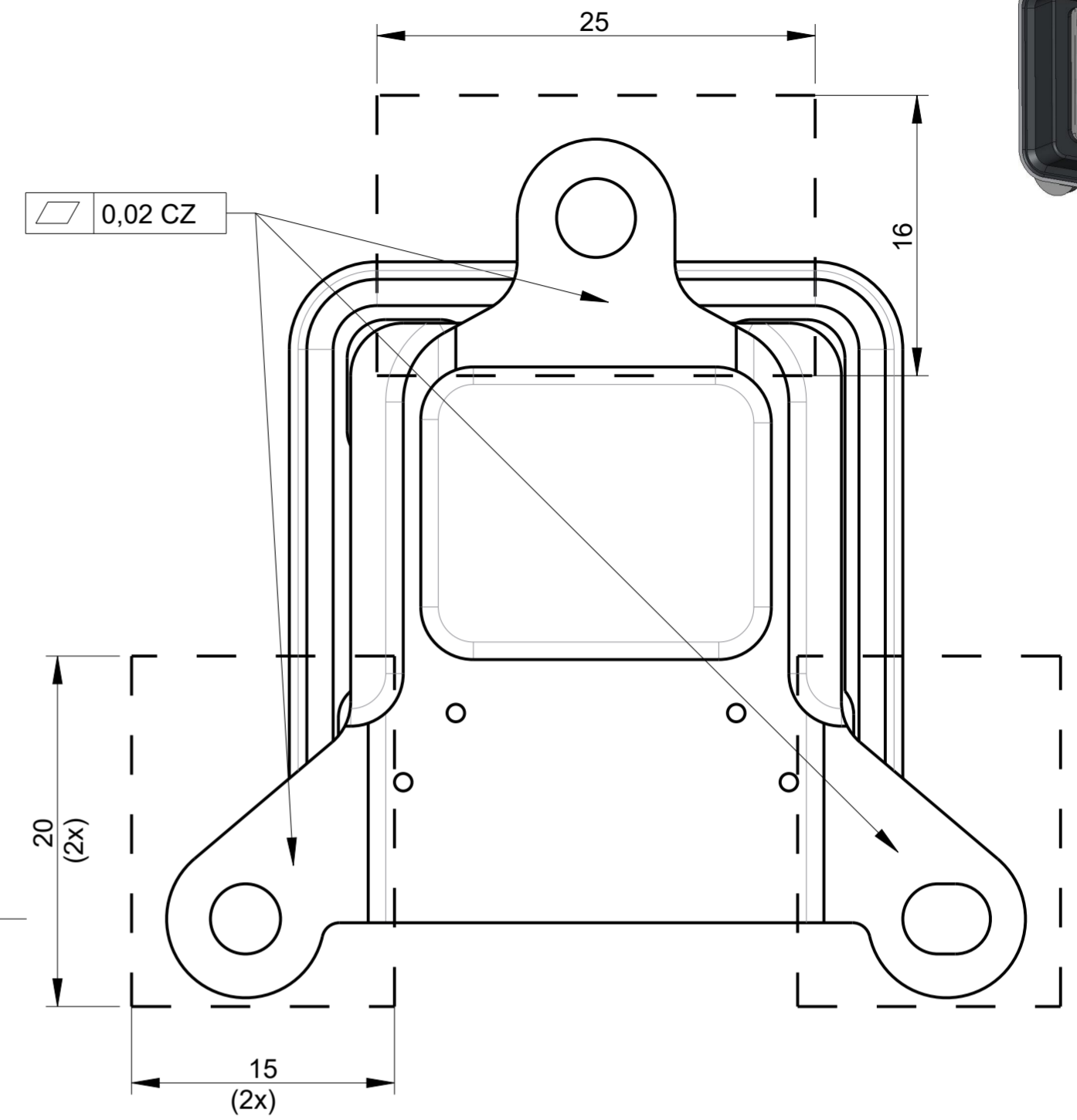
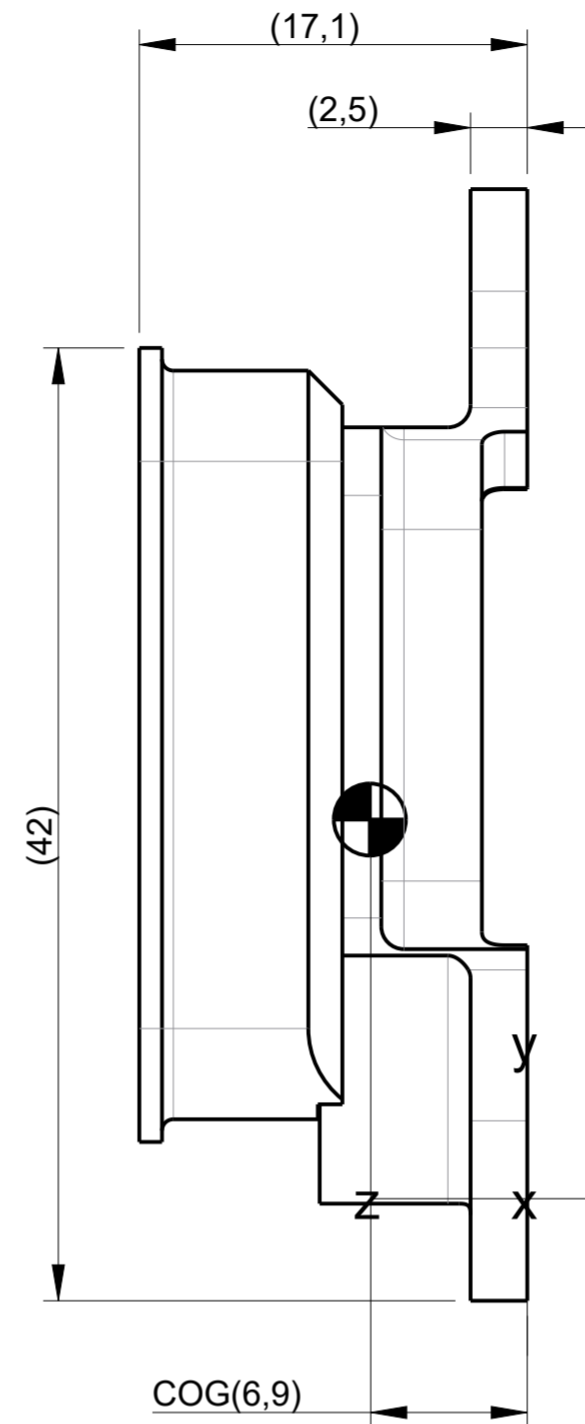
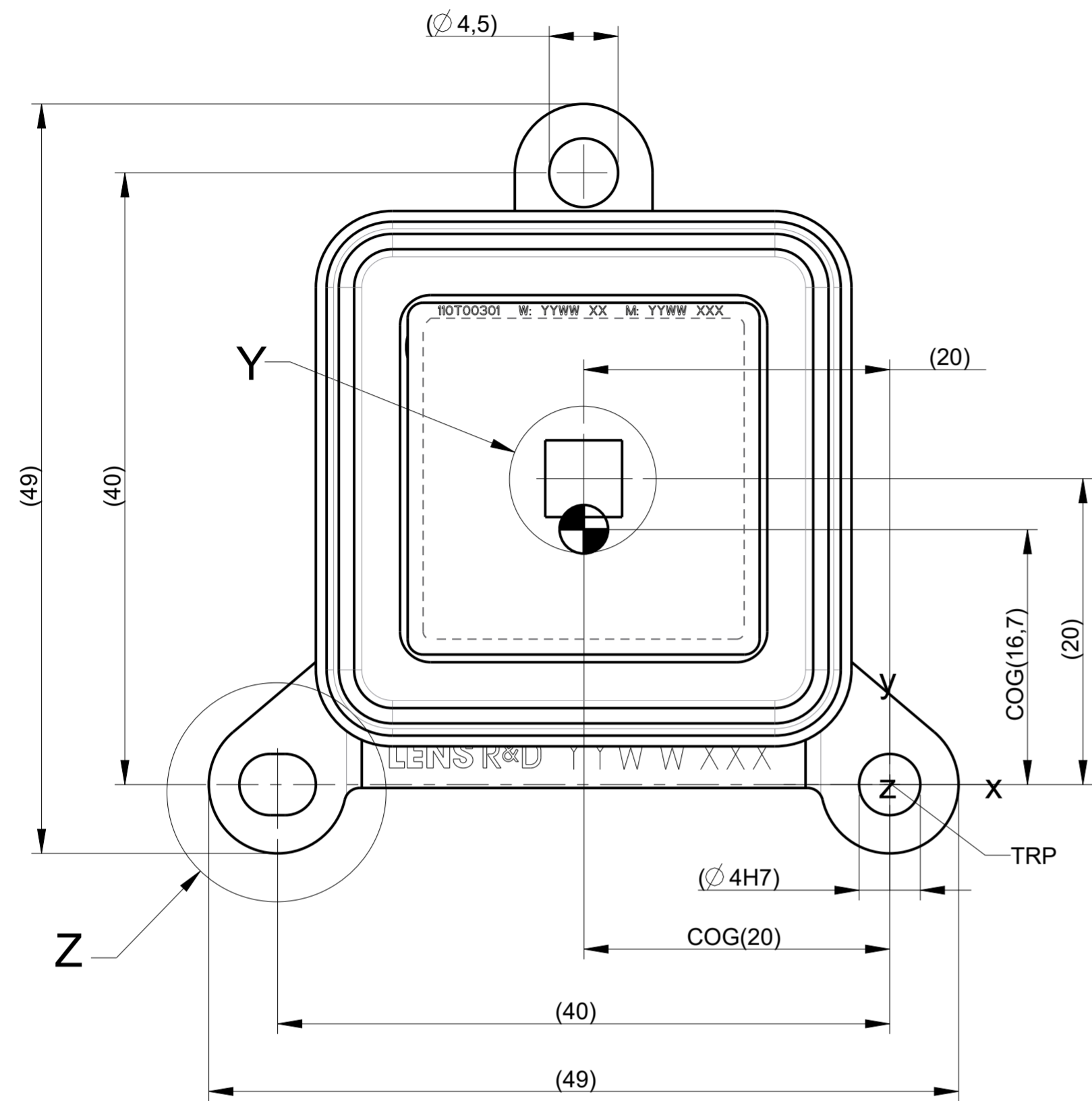
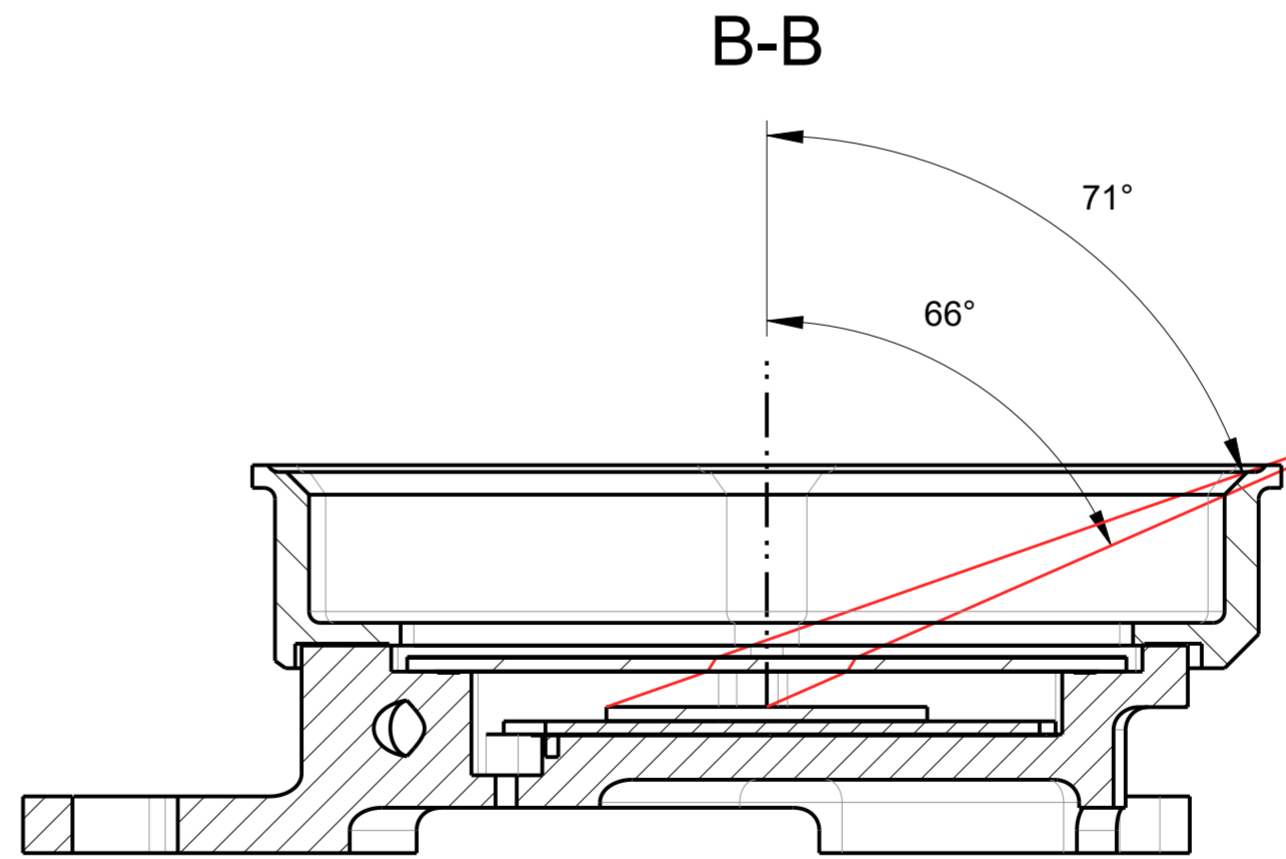
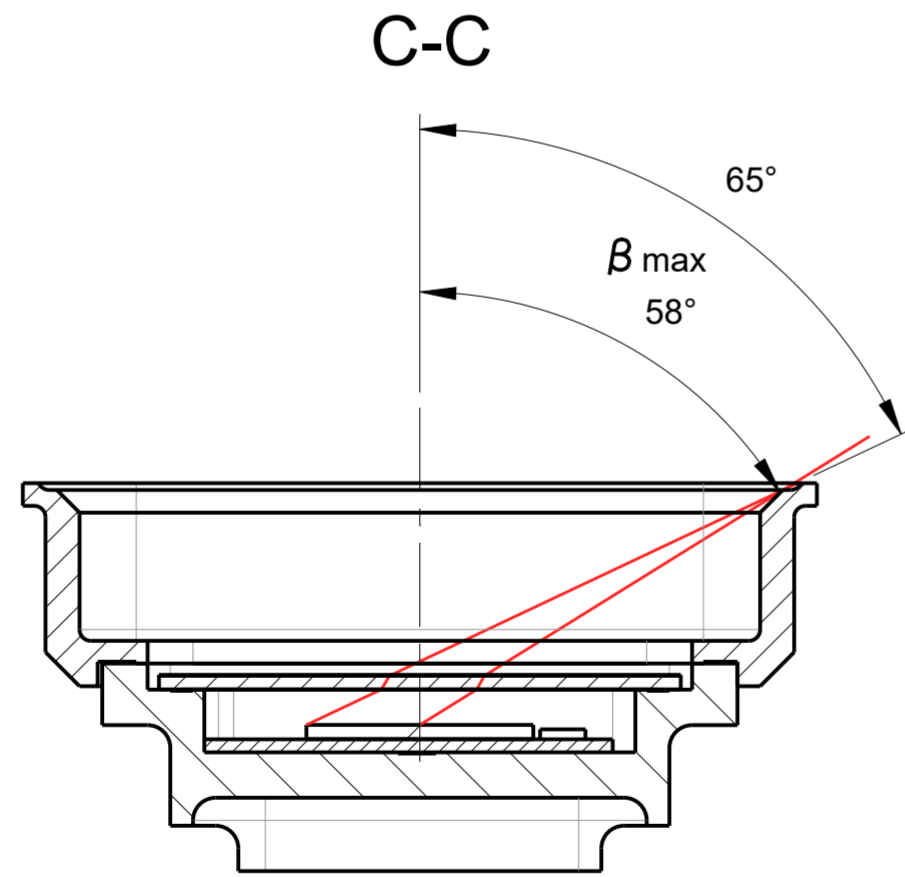
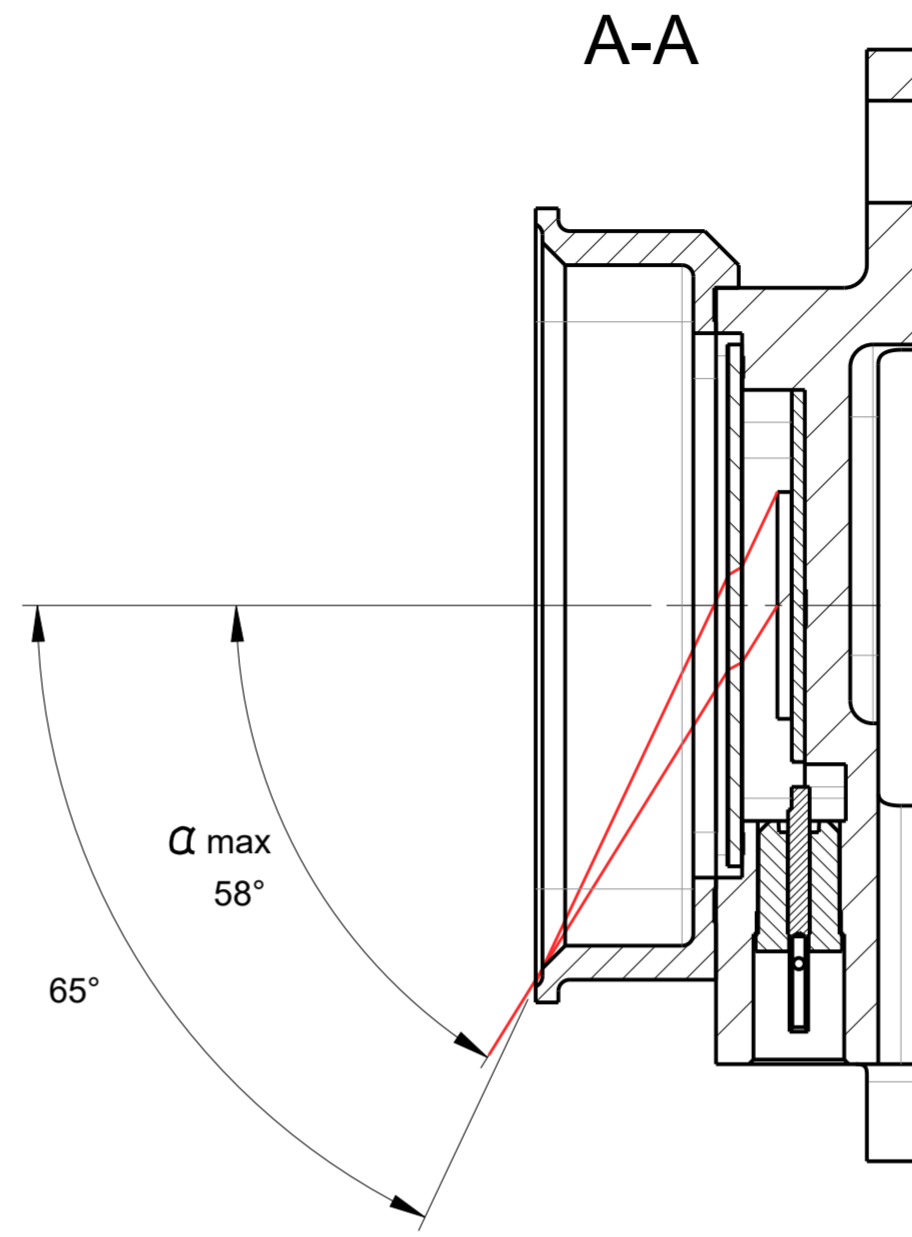
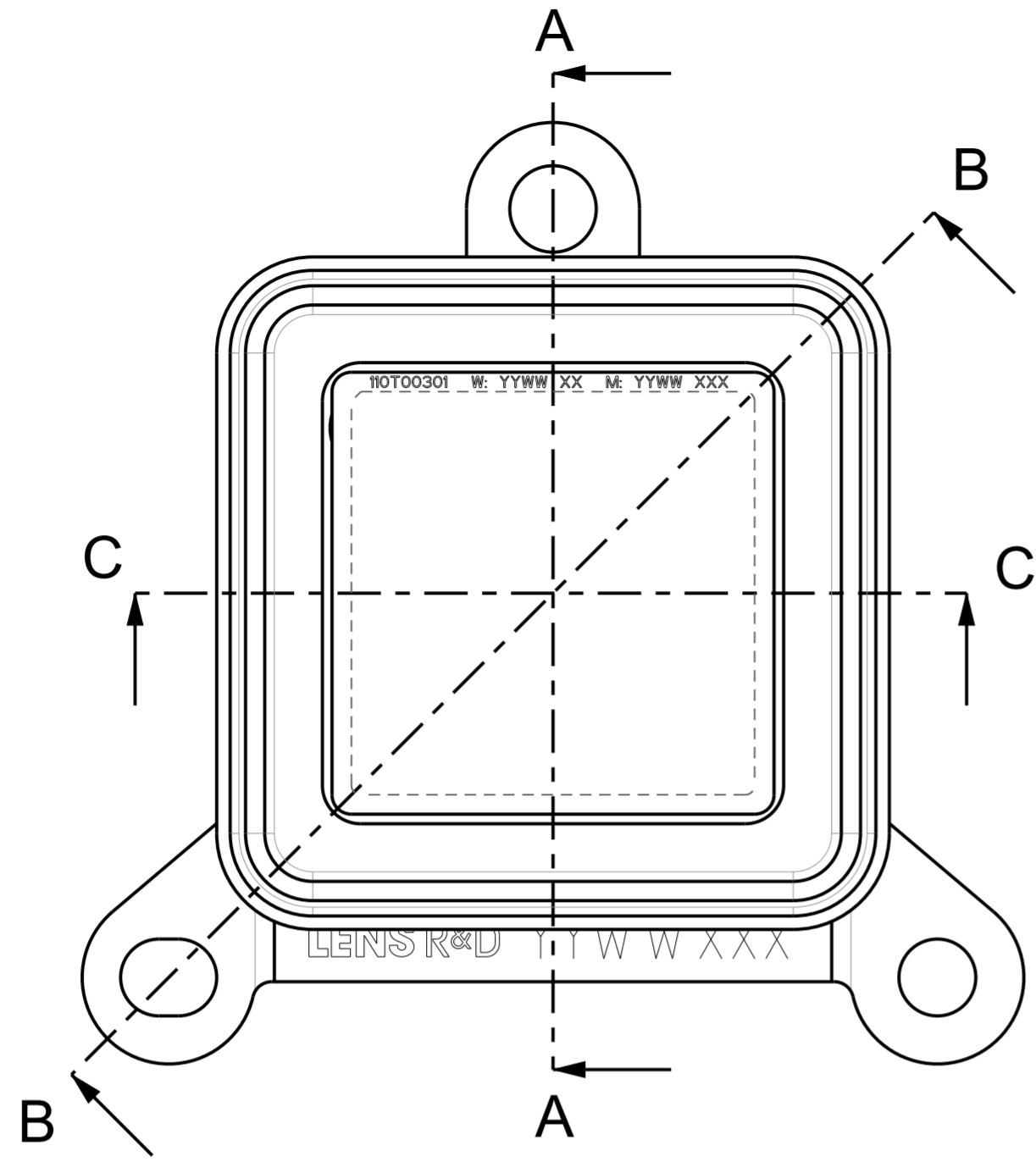


The copying, distribution and utilization of this document as well as the communication of its contents to others without expressed authorization is prohibited. Offenders will be held liable for the payment of damages. All rights reserved.



LENS R&D				General Tolerances		Material	
				ISO 2768-fK			
				Surface Tolerances		Finish	
				DIN ISO 1302		-	
				Mass		Description	
				31 ± 2 gr		BiSon64-ET-B	
				Projection		IC-Drawing	
				A2			
Drawn	Date	Name	Scale	Project Name		Drawing Number	
04-04-17	04-04-17	ALIN	3:1	BiSon64-ET-B		150T70104	
Checked	04-04-17	KLI	Project Number		Sheet		
Modified	24-06-20	CBE	150T001xx		1 of 5		
Norm	-	-	Rel.level		Replaces: -		
Production					Derived from: -		

The copying, distribution and utilization of this document as well as the communication of its contents to others without expressed authorization is prohibited. Offenders will be held liable for the payment of damages. All rights reserved.



Note:
Accuracy of all angles is $\pm 2^\circ$

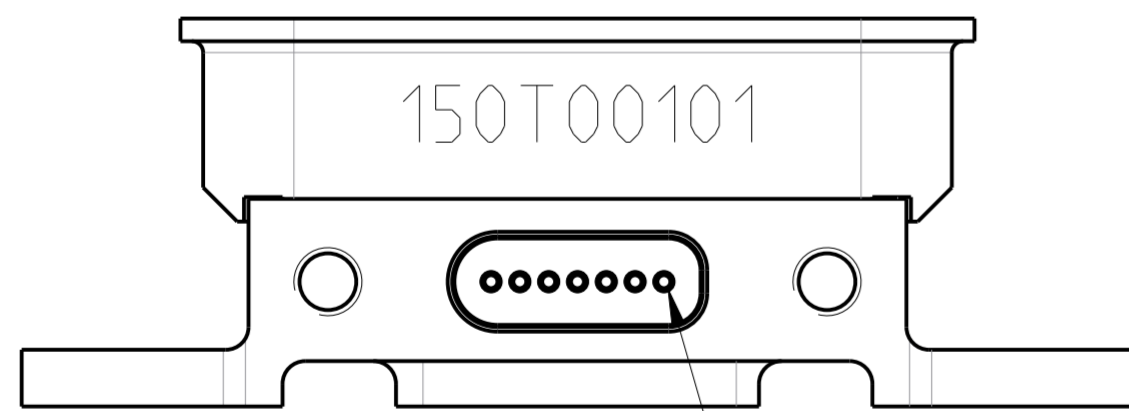
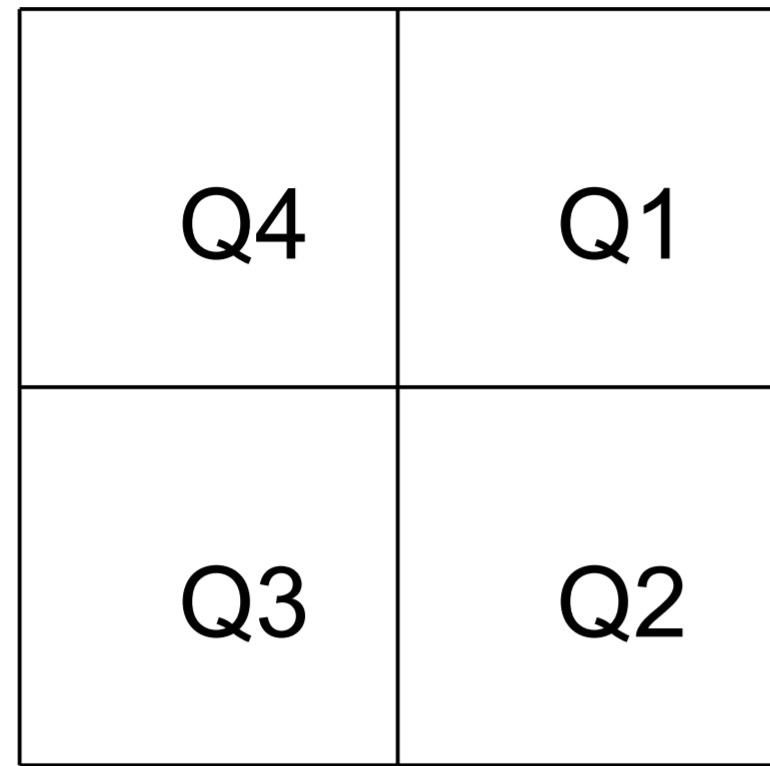
LENS R&D				General Tolerances		Material	
				ISO 2768-fK			
				Surface Tolerances		Finish	
				DIN ISO 1302		-	
				Mass		Description	
				31 \pm 2 gr		BiSon64-ET-B IC-Drawing	
Drawn	Date	Name	Scale	Projection	Size	Drawing Number	
04-04-17	04-04-17	ALIN	3:1				
Checked	04-04-17	KLI	Project Name		150T70104		
Modified	24-06-20	CBE	BiSon64-ET-B				
Norm	-	-	Project Number		Replaces: -		
Rel.level	Production	150T001xx		Derived from: -			

A
B
C
D
E
F
G
H
I
J

1 2 3 4 5 6 7 8 9 10 11 12 13 14

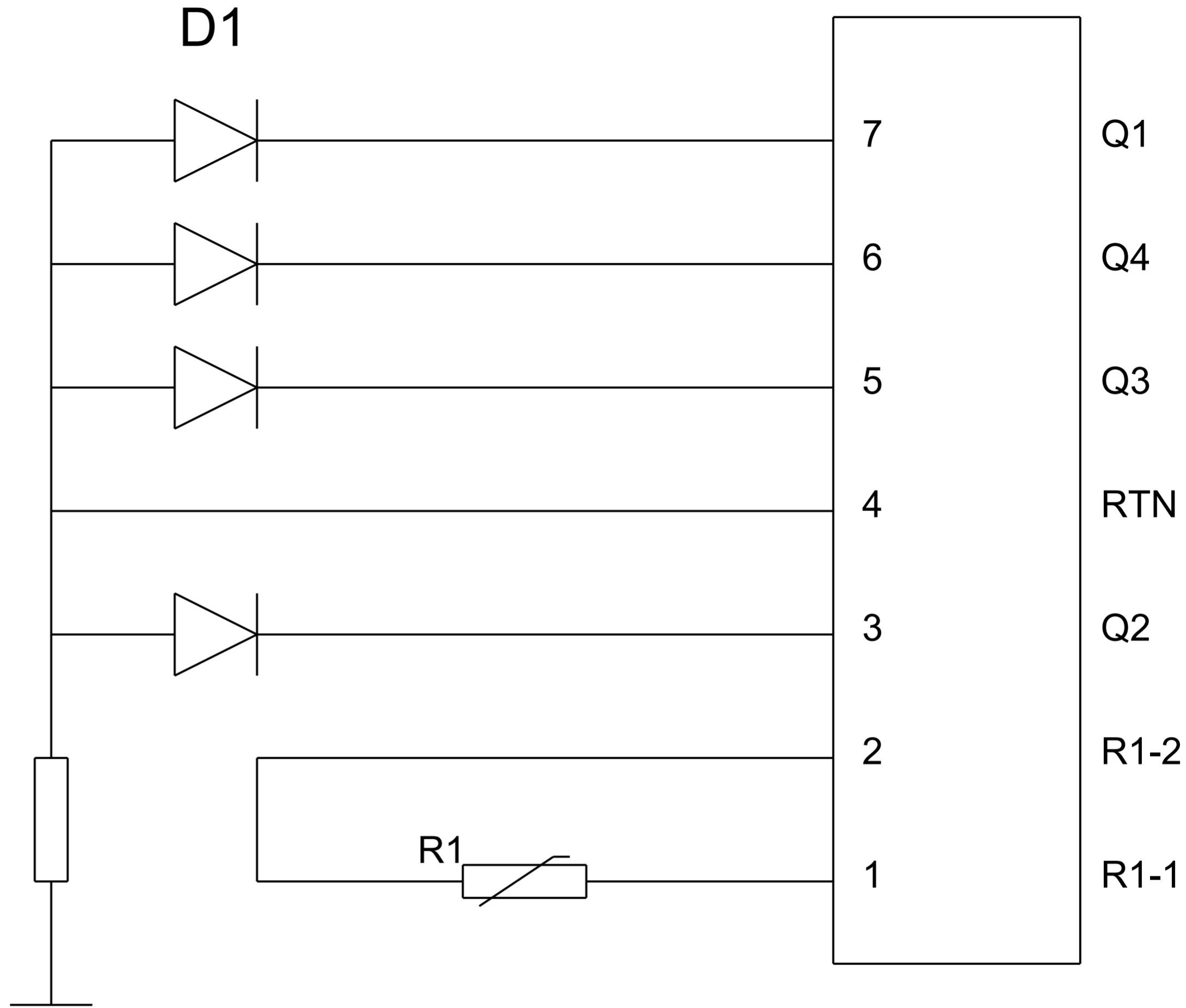
1 2 3 4 5 6 7 8 9 10 11 12 13 14

TOP VIEW D1



PIN 1 of J1 "All pins are female"

R2
1MΩ ... 10MΩ



The copying, distribution and utilization of this document as well as the communication of its contents to others without expressed authorization is prohibited. Offenders will be held liable for the payment of damages. All rights reserved.

				General Tolerances		Material	
				ISO 2768-fK			
				Surface Tolerances		Finish	
				DIN ISO 1302		-	
				Mass		Description	
				31 ± 2 gr		BiSon64-ET-B	
				Projection		IC-Drawing	
				A2			
Drawn	Date	Name	Scale	Project Name		Drawing Number	
	04-04-17	ALIN	3:1	BiSon64-ET-B		150T70104	
Checked	04-04-17	KLI	Project Number		Sheet		
Modified	24-06-20	CBE	150T001xx		3		
Norm	-	-			of 5		
Rel.level	Production				Replaces: -		Derived from: -

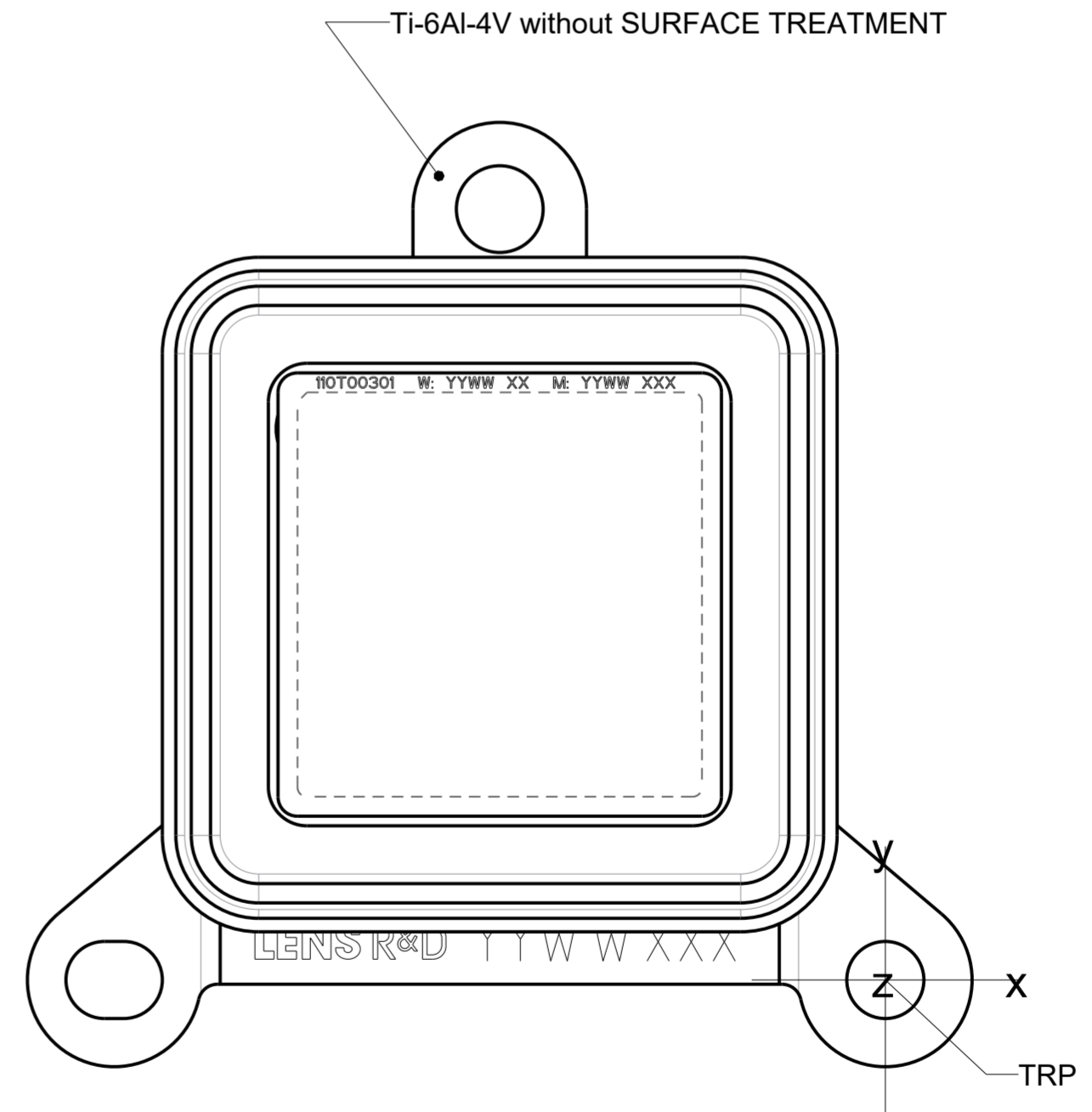
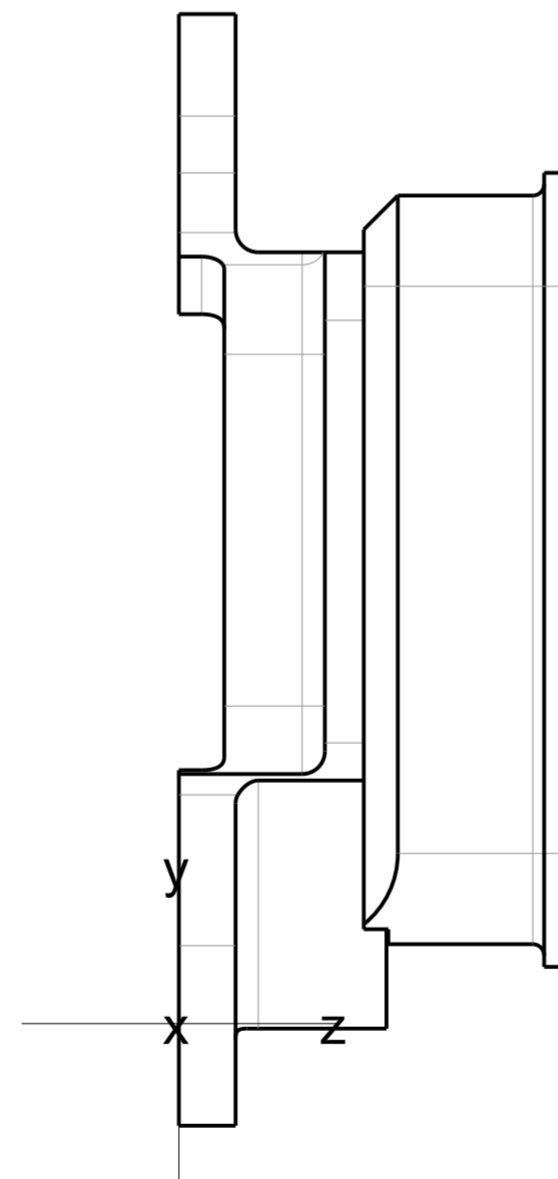
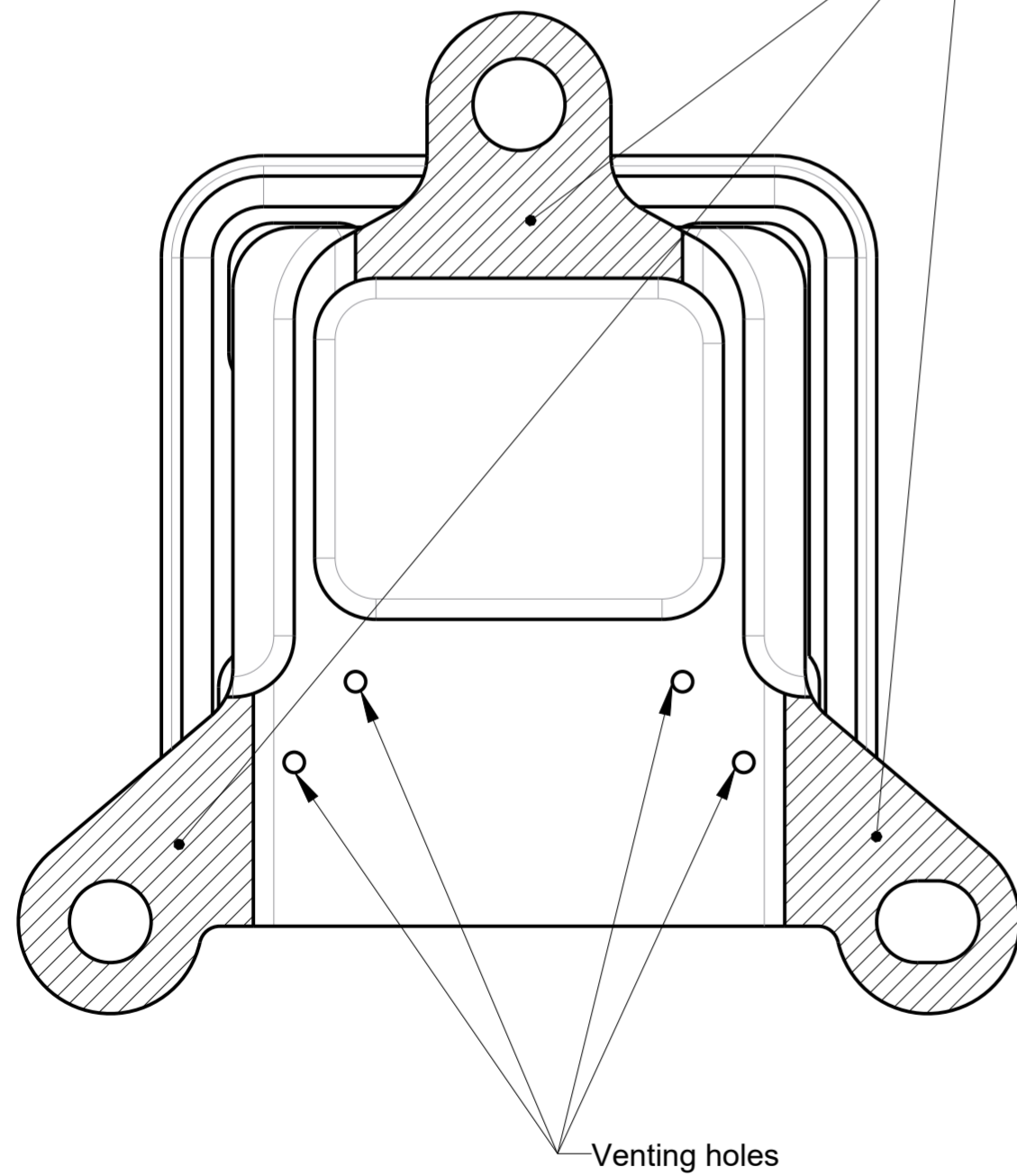
PRINCIPAL MOMENTS OF INERTIA WITH RESPECT TO
TEMPERATURE REFERENCE POINT COORDINATE SYSTEM (kg·mm²)

I_{xx} 1.50e+01
I_{yy} 1.76e+01
I_{zz} 2.87e+01

PRINCIPAL MOMENTS OF INERTIA AT CENTER OF GRAVITY WITH RESPECT TO
TEMPERATURE REFERENCE POINT COORDINATE SYSTEM (kg·mm²)

I_{xx} 4.98e+00
I_{yy} 3.83e+00
I_{zz} 7.77e+00

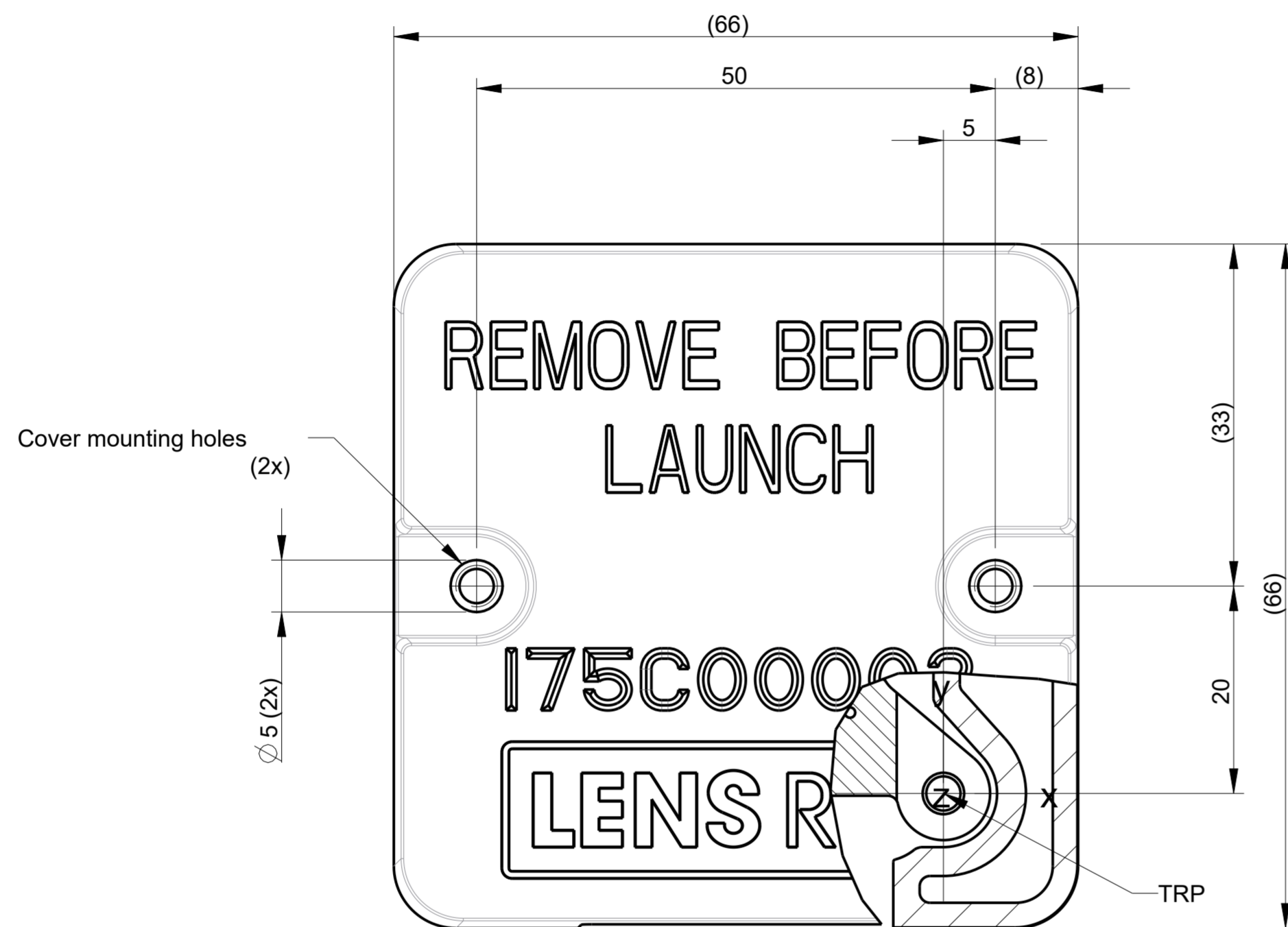
TOTAL SURFACE AREA GROUNDING STUDS 310,7 mm²



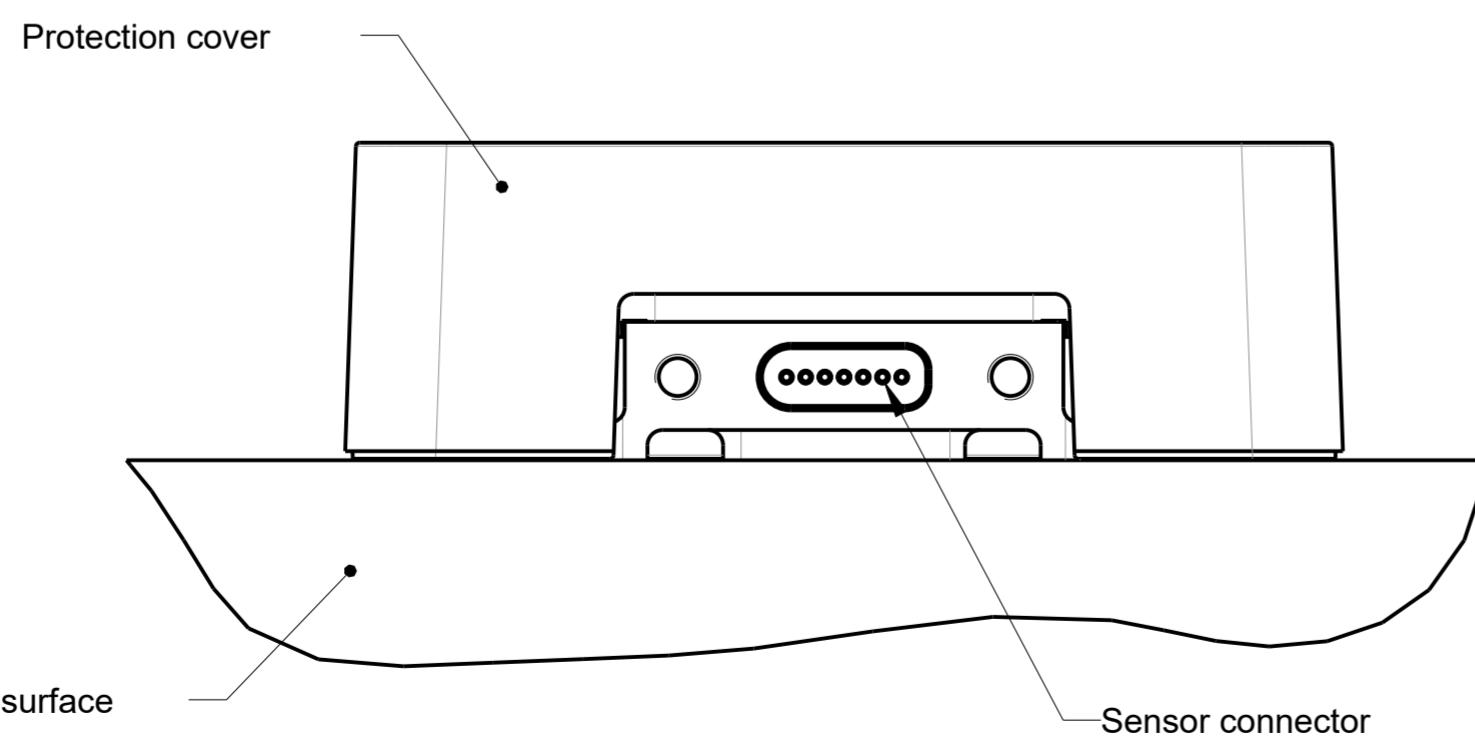
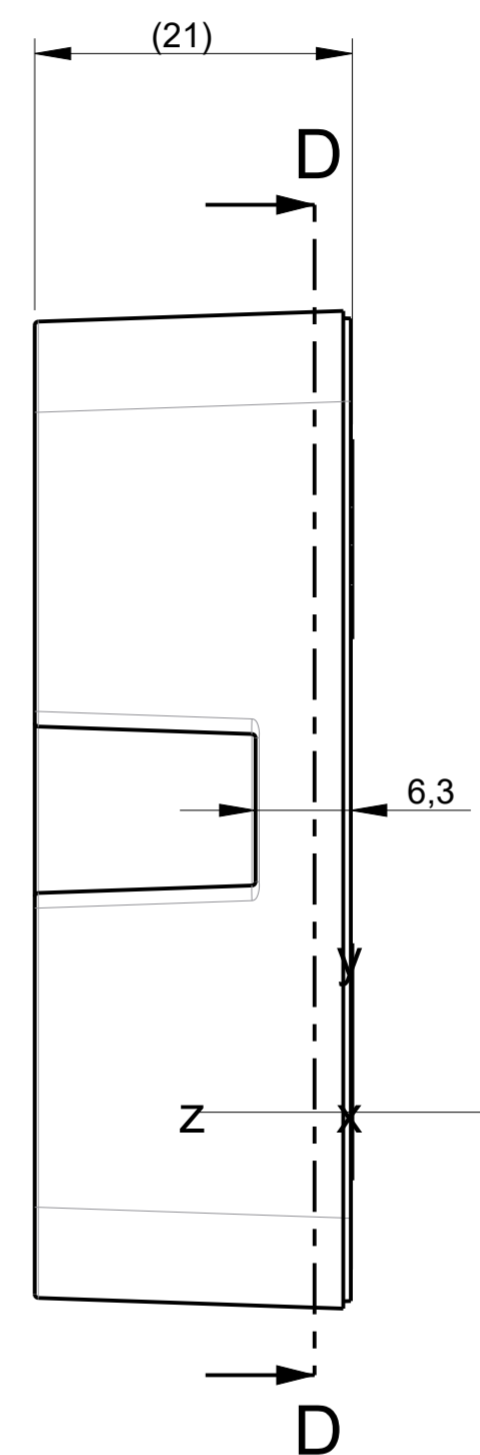
The copying, distribution and utilization of this document as well as the communication of its contents to others without expressed authorization is prohibited. Offenders will be held liable for the payment of damages. All rights reserved.

				General Tolerances		Material	
				ISO 2768-fK			
				Surface Tolerances		Finish	
				DIN ISO 1302		-	
				Mass		Description	
				31 ± 2 gr		BiSon64-ET-B	
				Projection		IC-Drawing	
				A2		Drawing Number	
				150T001xx		150T70104	
				Replaces: -		Derived from: -	
Date		Name		Scale		Sheet	
04-04-17		ALIN		3:1		4	
Checked		Name		Project Name		of 5	
04-04-17		KLI		BiSon64-ET-B			
Modified		Name		Project Number			
24-06-20		CBE		150T001xx			
Norm		Name		Project Number			
-		-		150T001xx			
Rel.level		Name		Project Number			
Production		-		-			

PROTECTION COVER MOUNTING DETAILS



D-D



BOTTOM VIEW

Note:
 Protection cover material: POM
 Protection cover is part of transport box 175C00002
 and can be re-used to protect sensor before launch
 Use cover mounting holes as indicated in the drawing

				General Tolerances		Material	
				ISO 2768-fK			
				Surface Tolerances		Finish	
				DIN ISO 1302		-	
				Mass		Description	
				31 ± 2 gr		BiSon64-ET-B	
				Projection		IC-Drawing	
				A2			
Drawn	Date	Name	Scale	Project Name		Drawing Number	
04-04-17	04-04-17	ALIN	3:1	BiSon64-ET-B		150T70104	
Checked	04-04-17	KLI	Project Number		Sheet		
Modified	24-06-20	CBE	150T001xx		5		
Norm	-	-			of 5		
Rel.level	Production				Replaces: -		Derived from: -