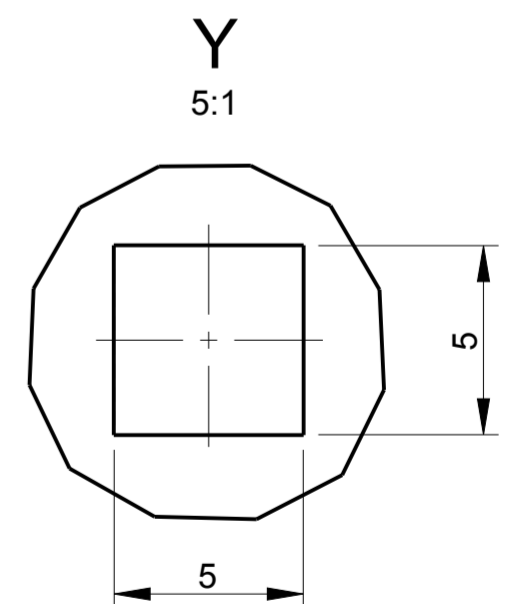
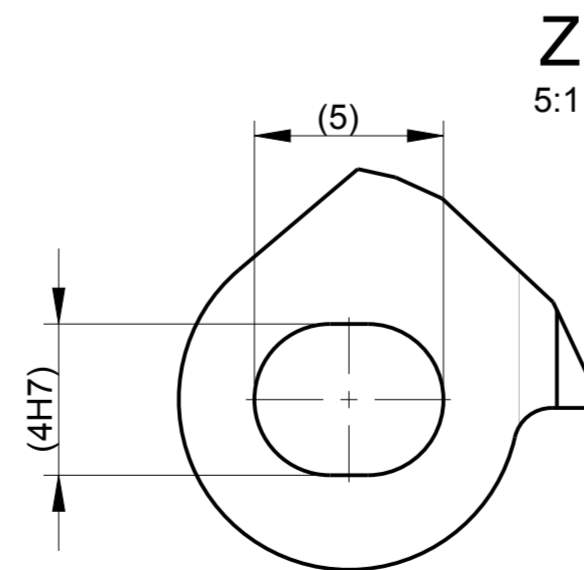
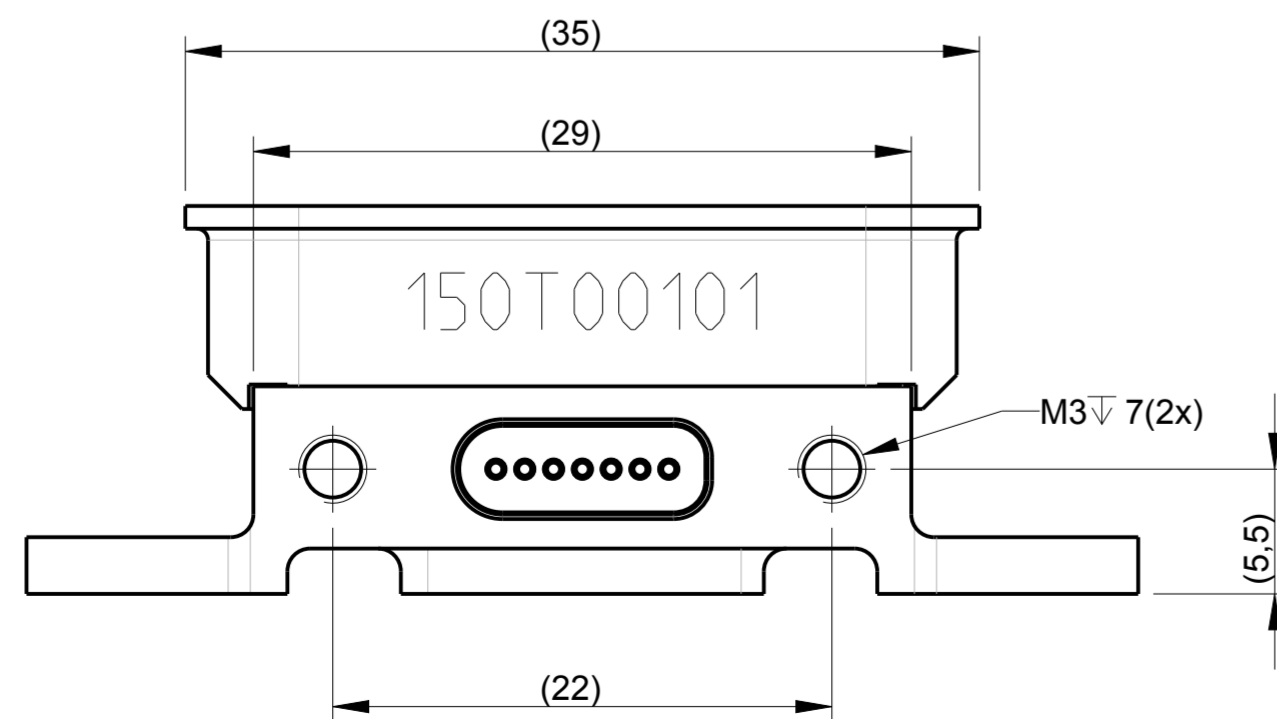
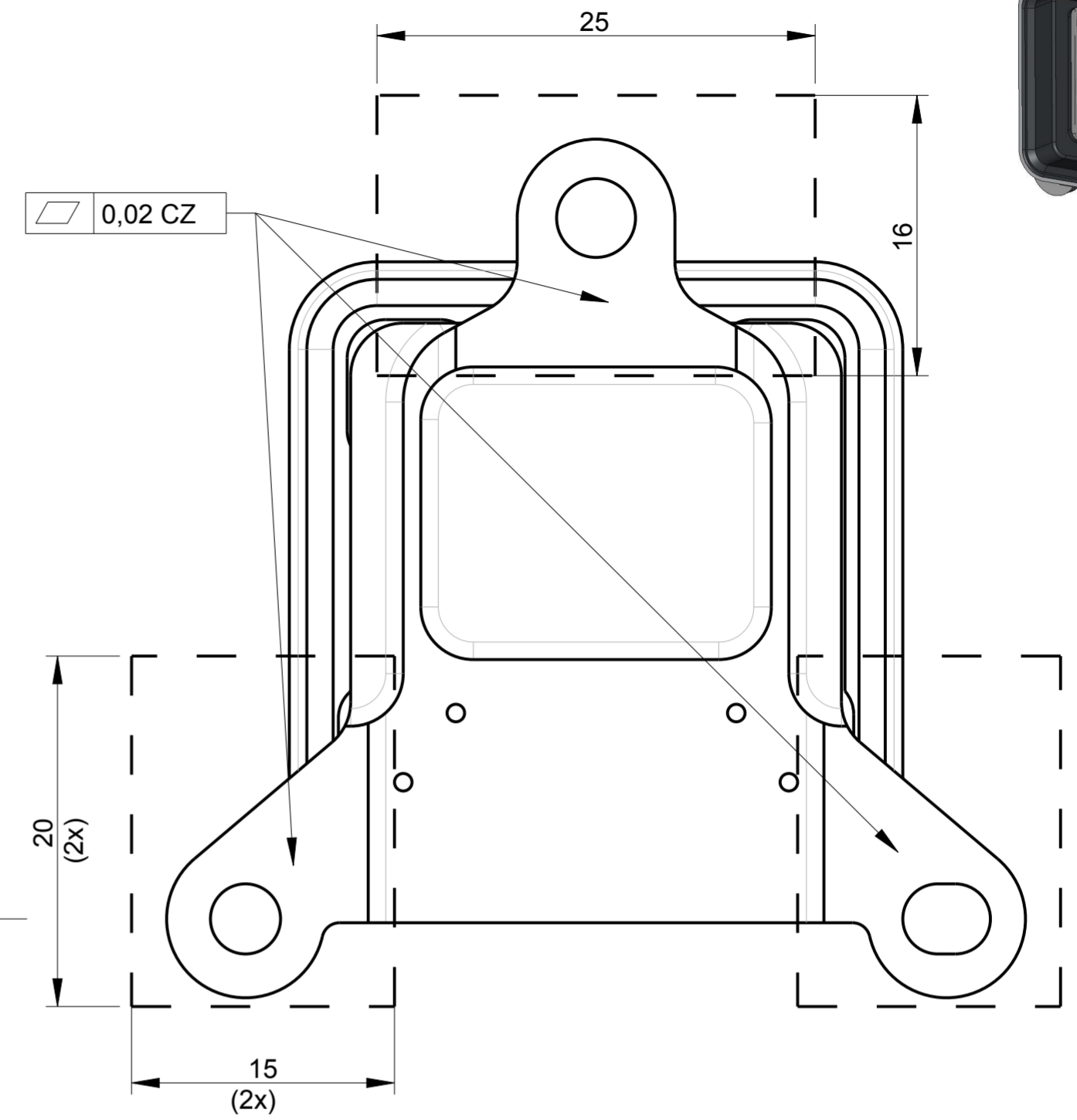
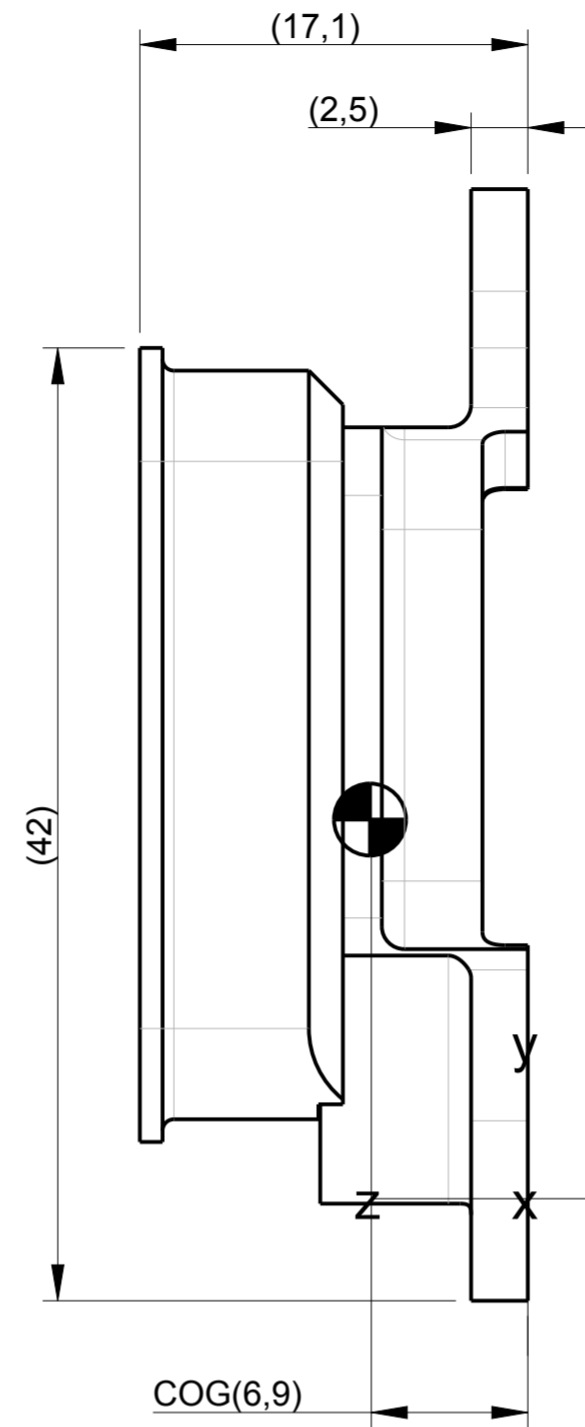
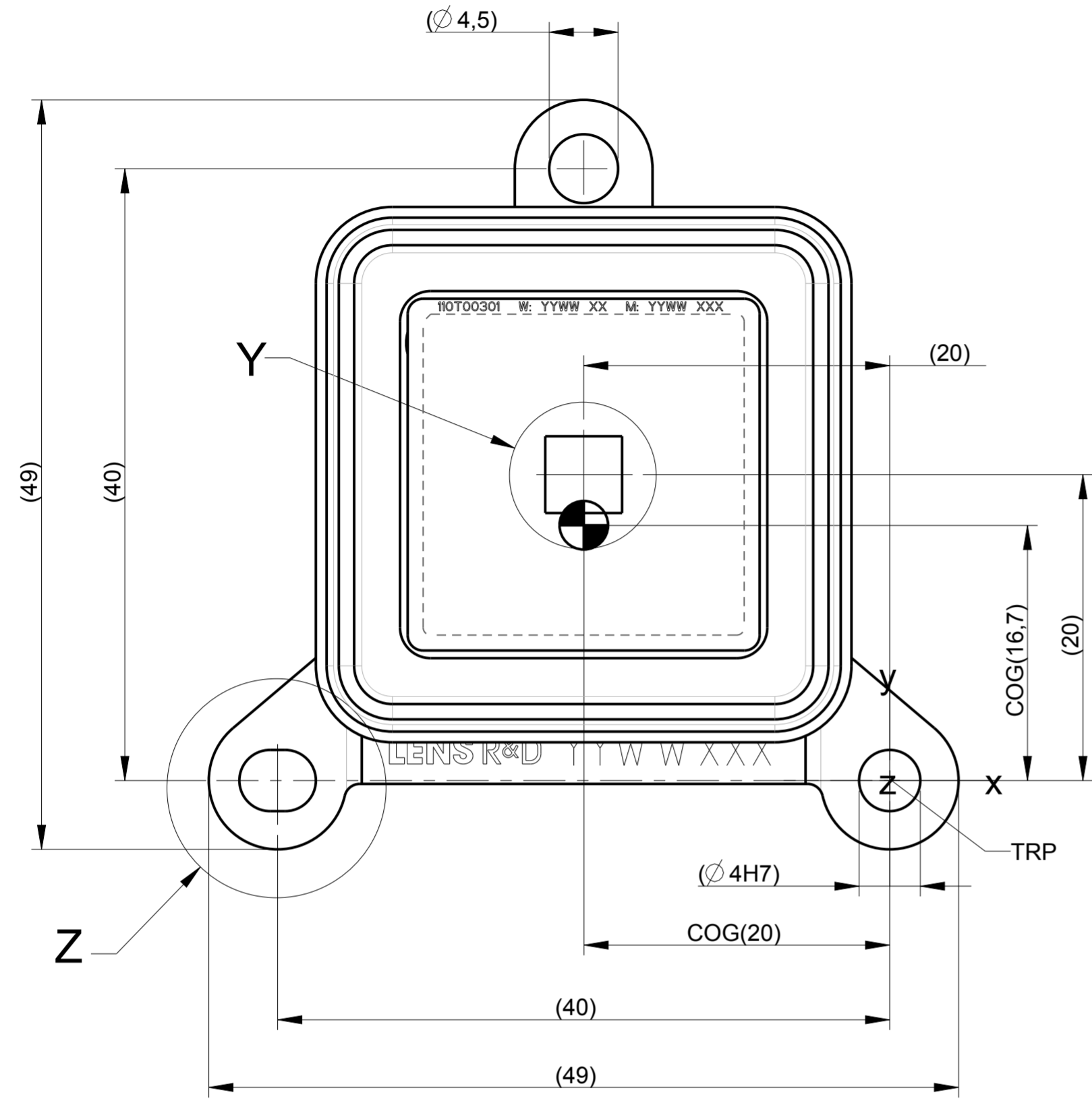
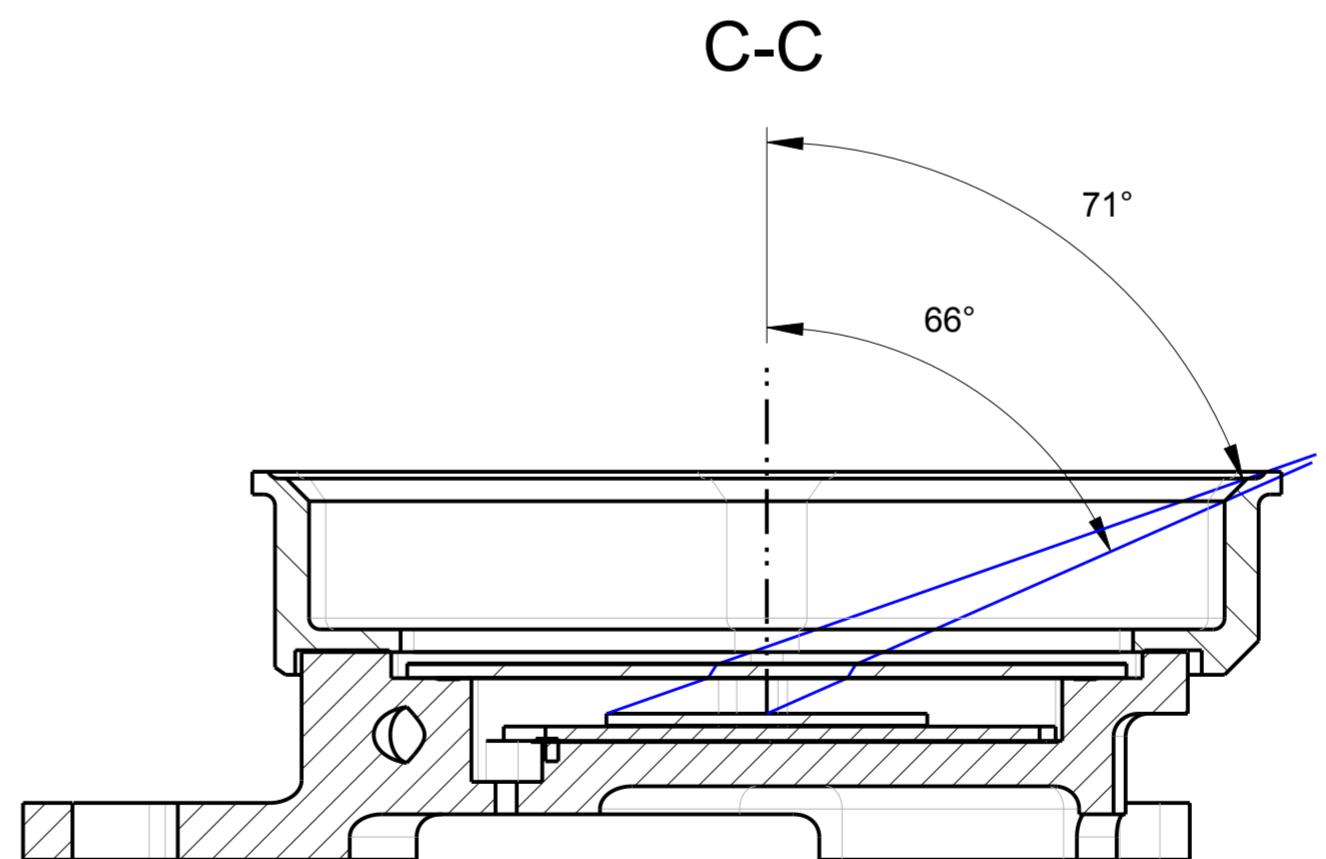
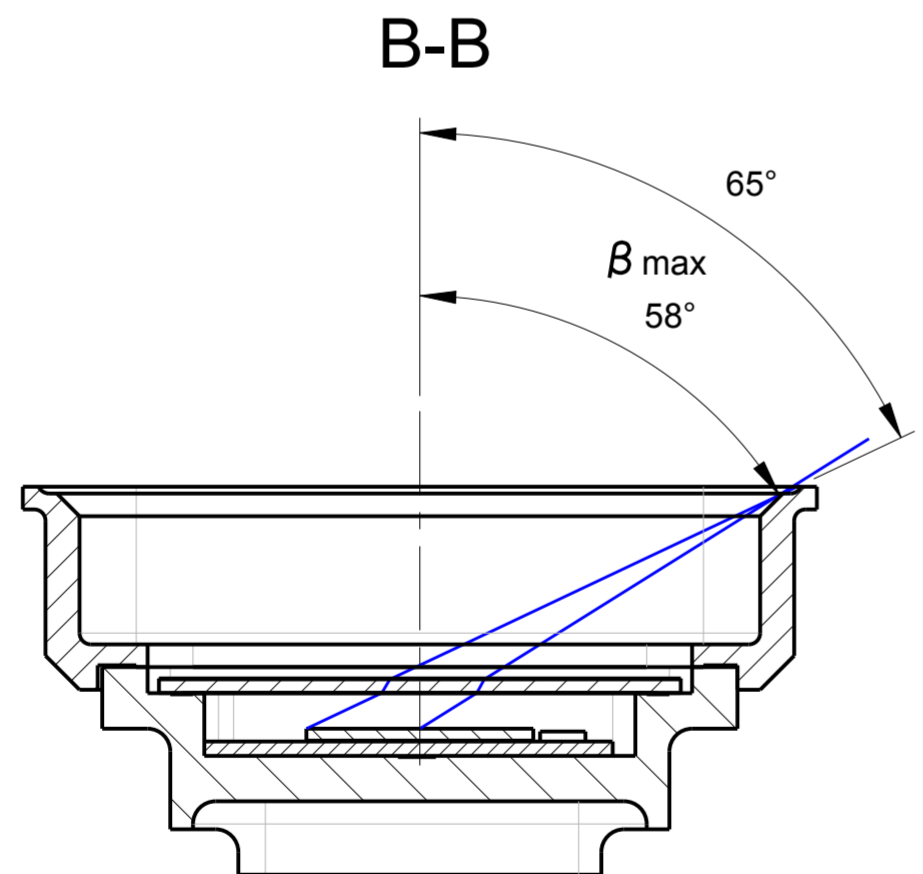
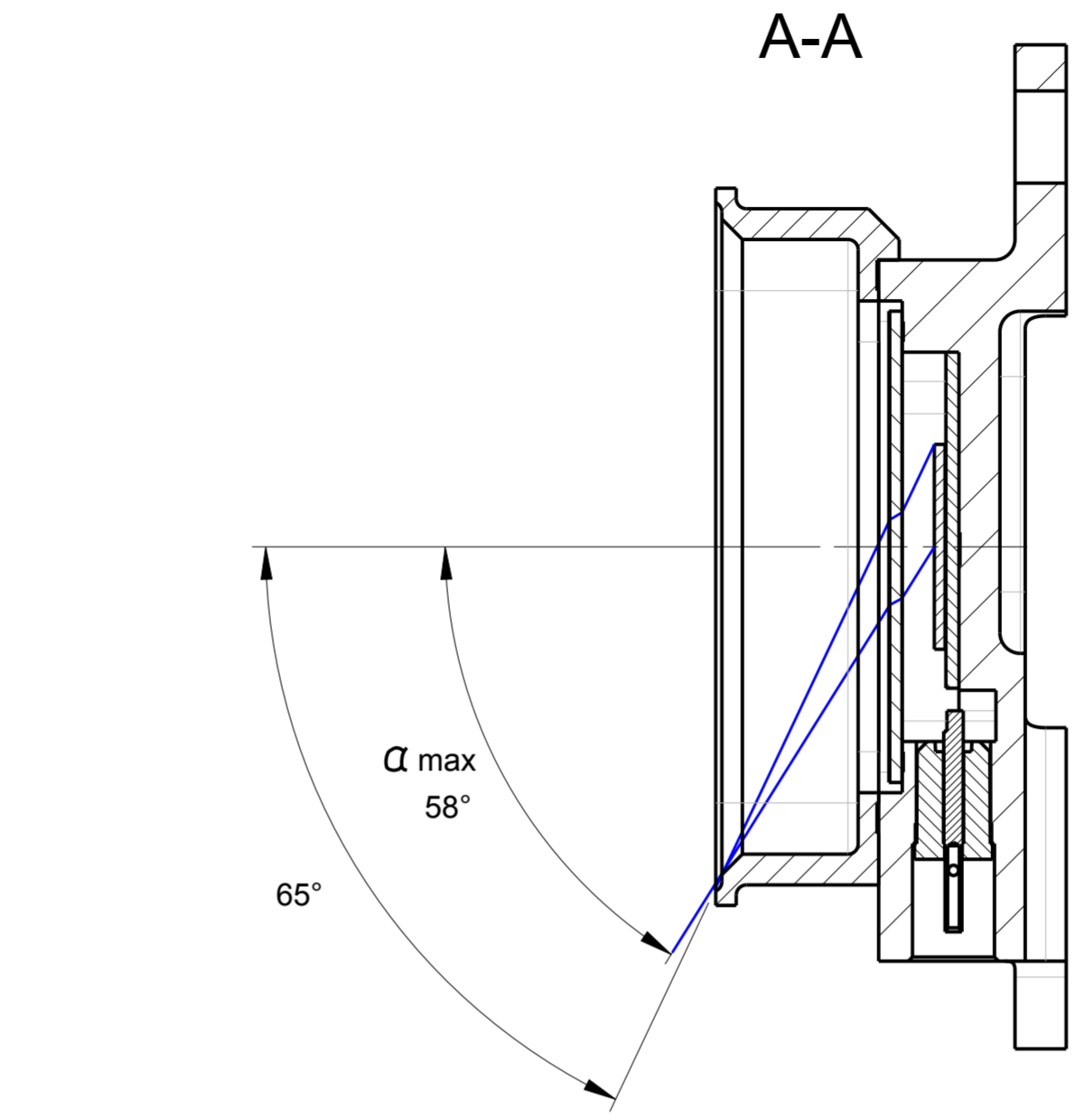
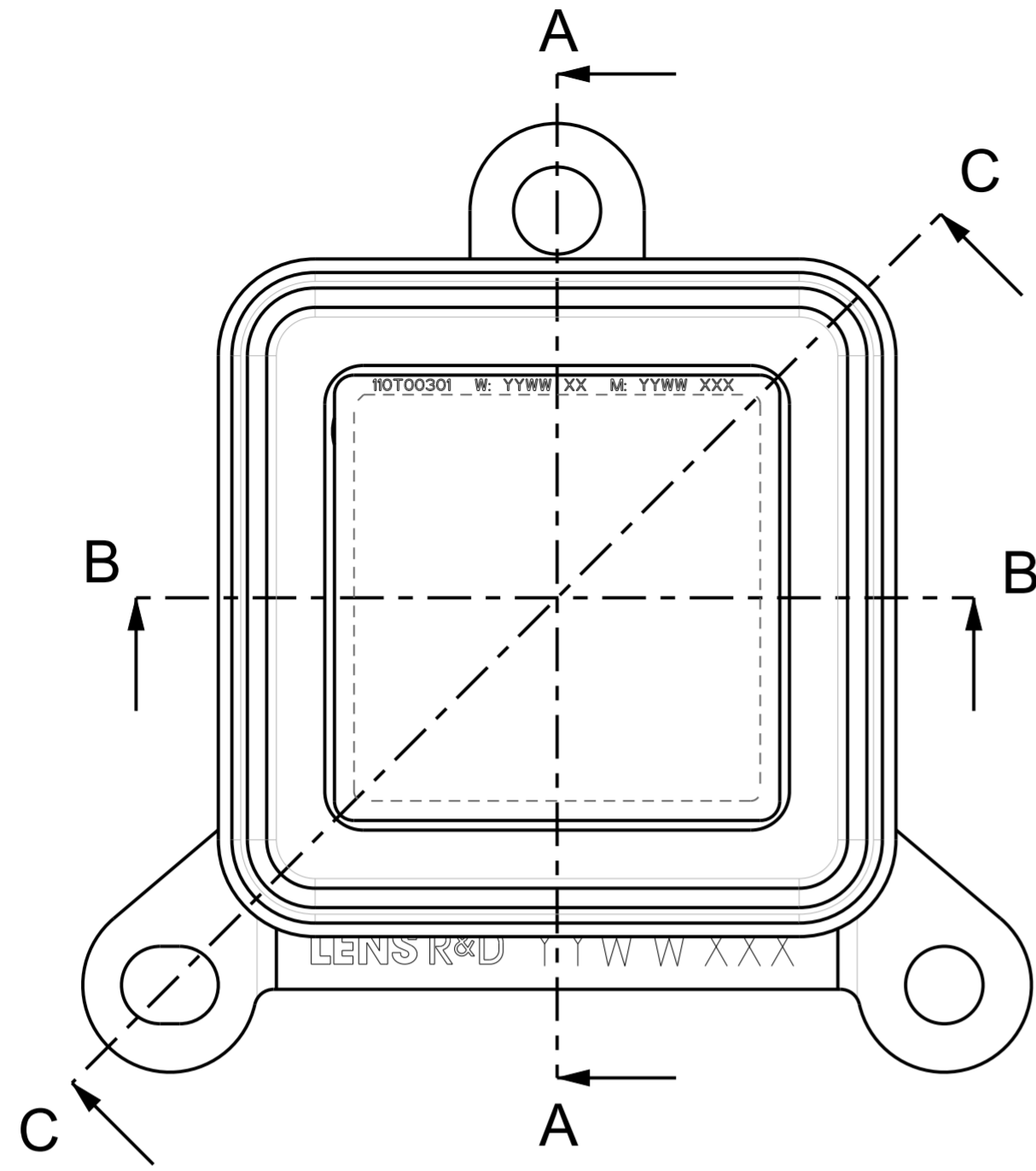


The copying, distribution and utilization of this document as well as the communication of its contents to others without expressed authorization is prohibited. Offenders will be held liable for the payment of damages. All rights reserved.



				General Tolerances ISO 2768-fK		Material -	
Drawn 04-04-17 ALIN 3:1				Surface Tolerances DIN ISO 1302		Finish -	
Checked 04-04-17 KLI				Mass 31 ± 2 gr		Description Baffle assembly ICD Drawing	
Modified 29-05-19 AAN				Project Name BiSon64-ET-B		Drawing Number 150T70103	
Norm -				Project Number 150T001xx		Sheet 1 of 5	
Rel.level Production				Projection 		Replaces: - Derived from: -	

The copying, distribution and utilization of this document as well as the communication of its contents to others without expressed authorization is prohibited. Offenders will be held liable for the payment of damages. All rights reserved.



Note:
Accuracy of all angles is $\pm 2^\circ$

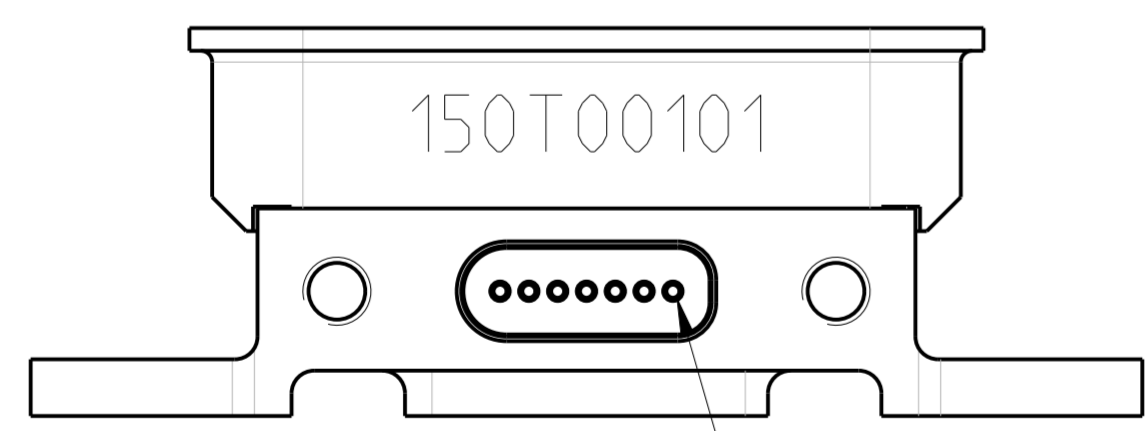
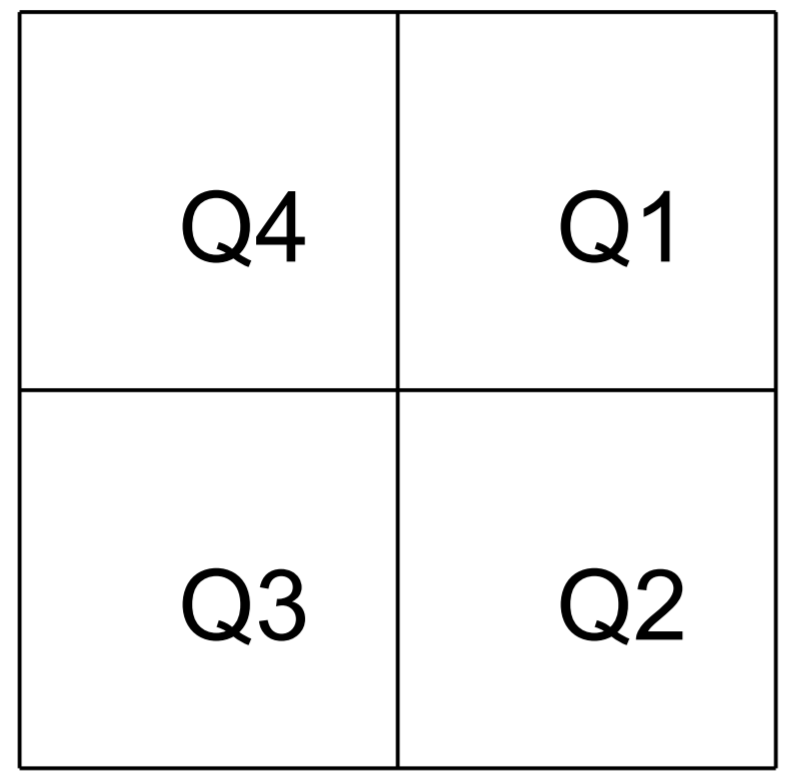
LENS R&D				General Tolerances		Material	
				ISO 2768-fK			
				Surface Tolerances		Finish	
				DIN ISO 1302		-	
				Mass		Description	
				31 \pm 2 gr		Baffle assembly ICD Drawing	
Drawn	Date	Name	Scale	Projection	Size	Drawing Number	
04-04-17	04-04-17	ALIN	3:1				
Checked	04-04-17	KLI	Project Name		150T70103		
Modified	29-05-19	AAN	BiSon64-ET-B				
Norm	-	-	Project Number		Replaces: -		
Rel.level	Production	-	150T001xx				

A
B
C
D
E
F
G
H
I
J

1 2 3 4 5 6 7 8 9 10 11 12 13 14

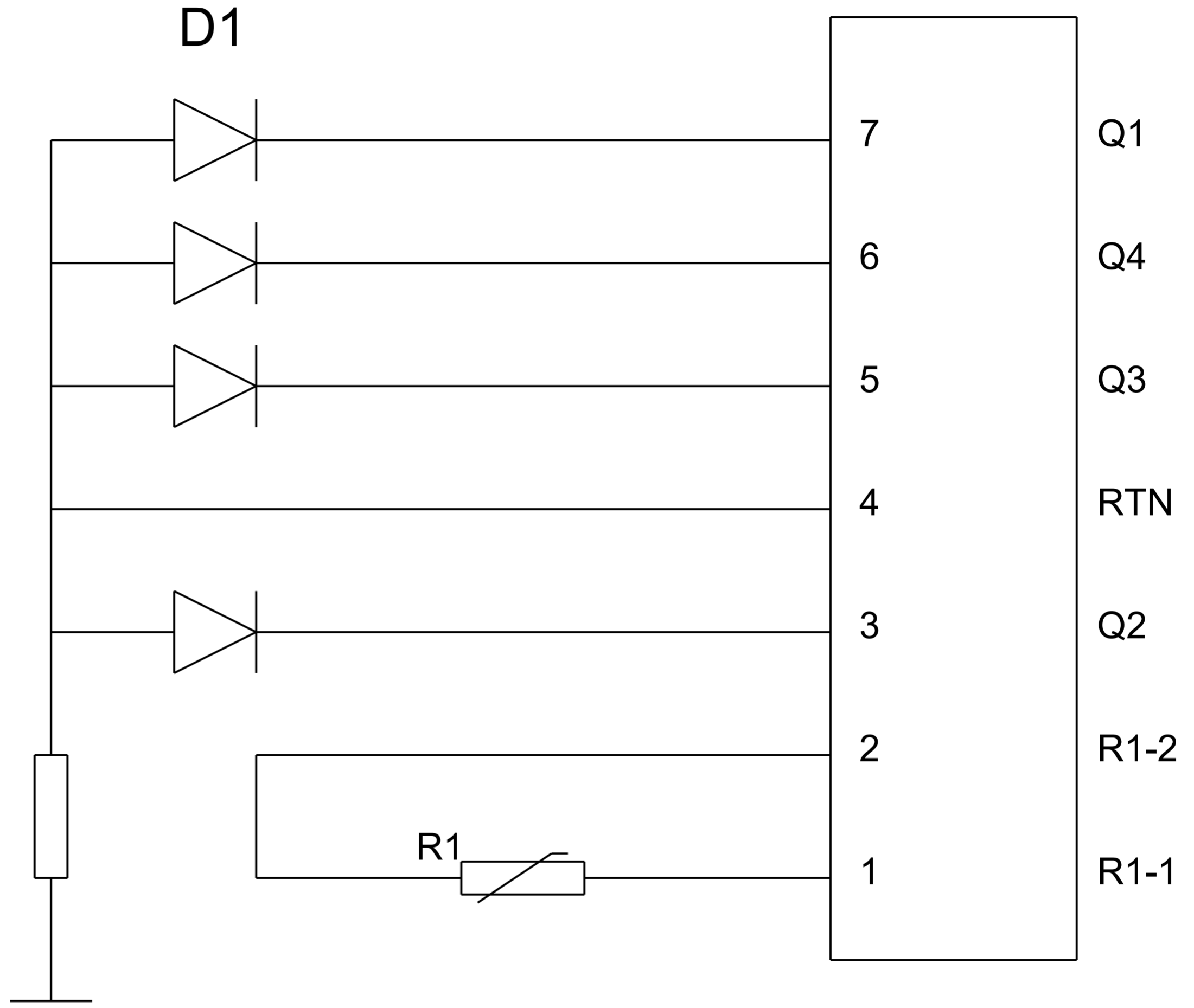
1 2 3 4 5 6 7 8 9 10 11 12 13 14

TOP VIEW D1



PIN 1 "All pins are female"

R2
1MΩ ... 10MΩ



D1 = 500E00101 (4 QUADRANT DIODE)
 J1 = 500M03001 (CONNECTOR)
 R1 = 500E02401 (10K THERMISTOR)

				General Tolerances ISO 2768-fK		Material	
				Surface Tolerances DIN ISO 1302		Finish -	
				Mass 31 ± 2 gr		Description Baffle assembly ICD Drawing	
Drawn	04-04-17	ALIN	Scale 3:1	Projection	A2	Drawing Number 150T70103	
Checked	04-04-17	KLI	Project Name BiSon64-ET-B			Sheet 3	
Modified	29-05-19	AAN	Project Number 150T001xx			of 5	
Norm	-	-				Replaces: -	
Rel.level	Production					Derived from: -	

The copying, distribution and utilization of this document as well as the communication of its contents to others without expressed authorization is prohibited. Offenders will be held liable for the payment of damages. All rights reserved.

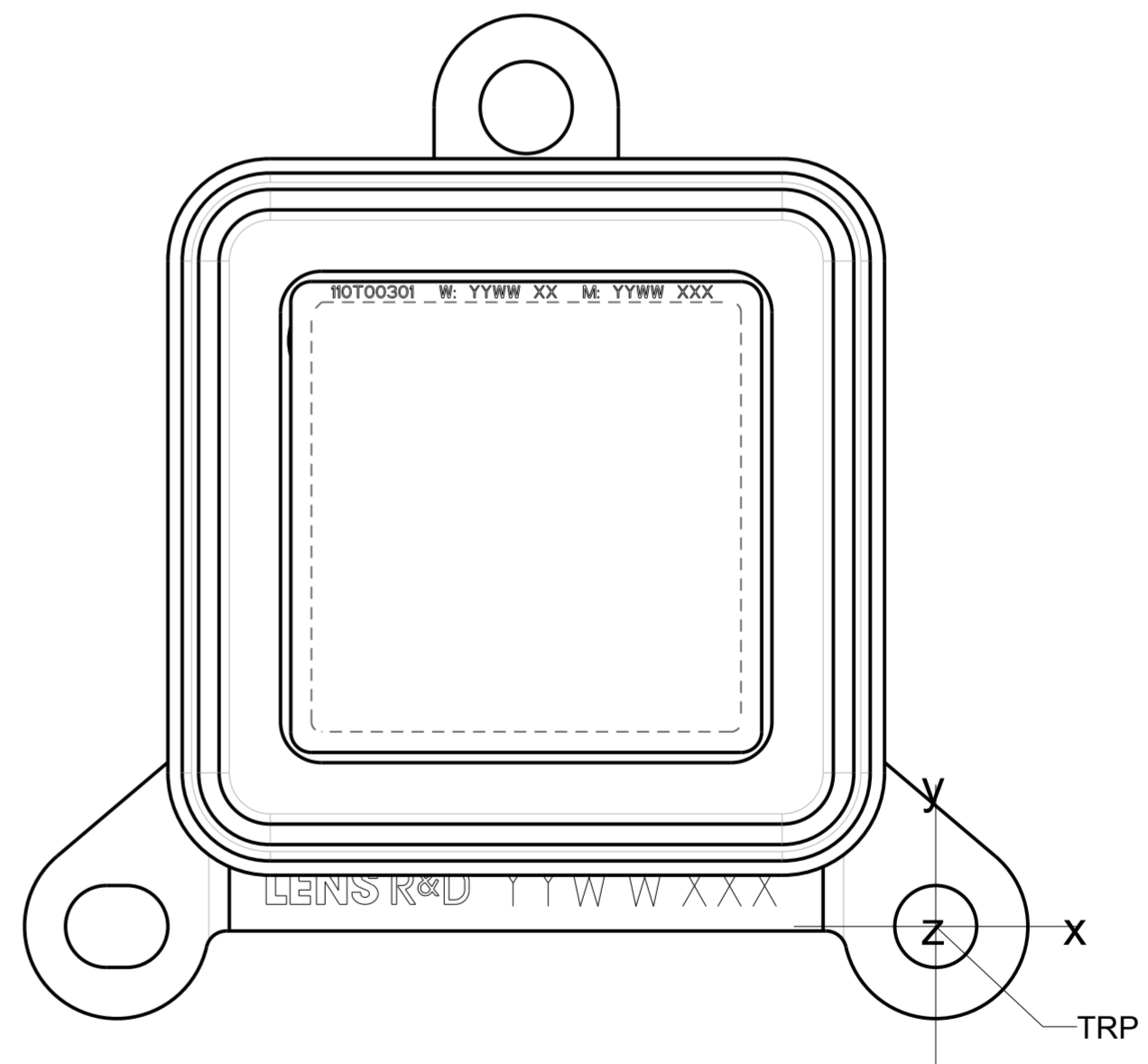
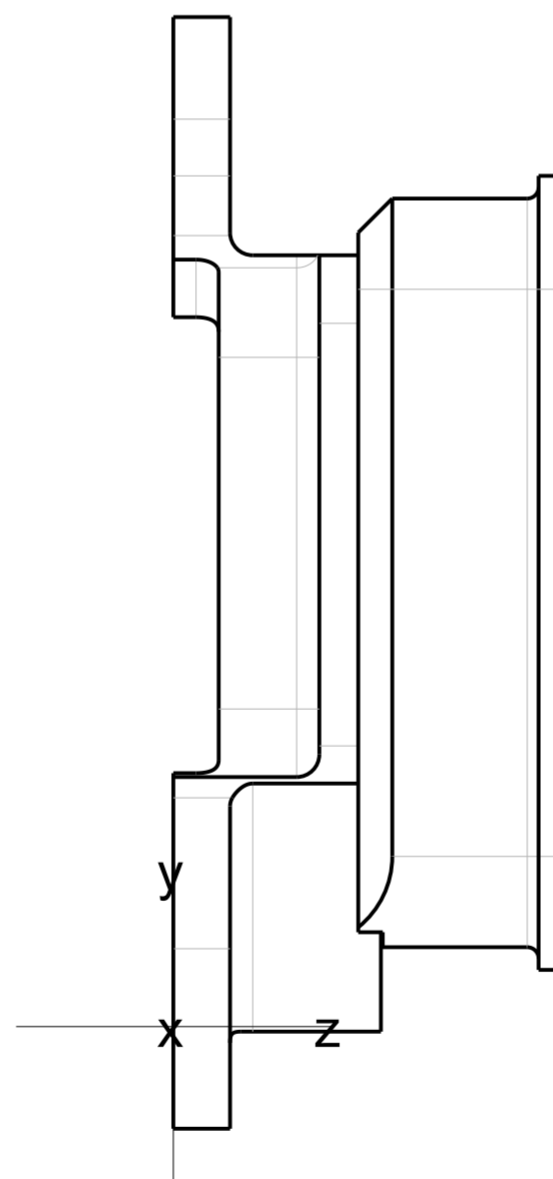
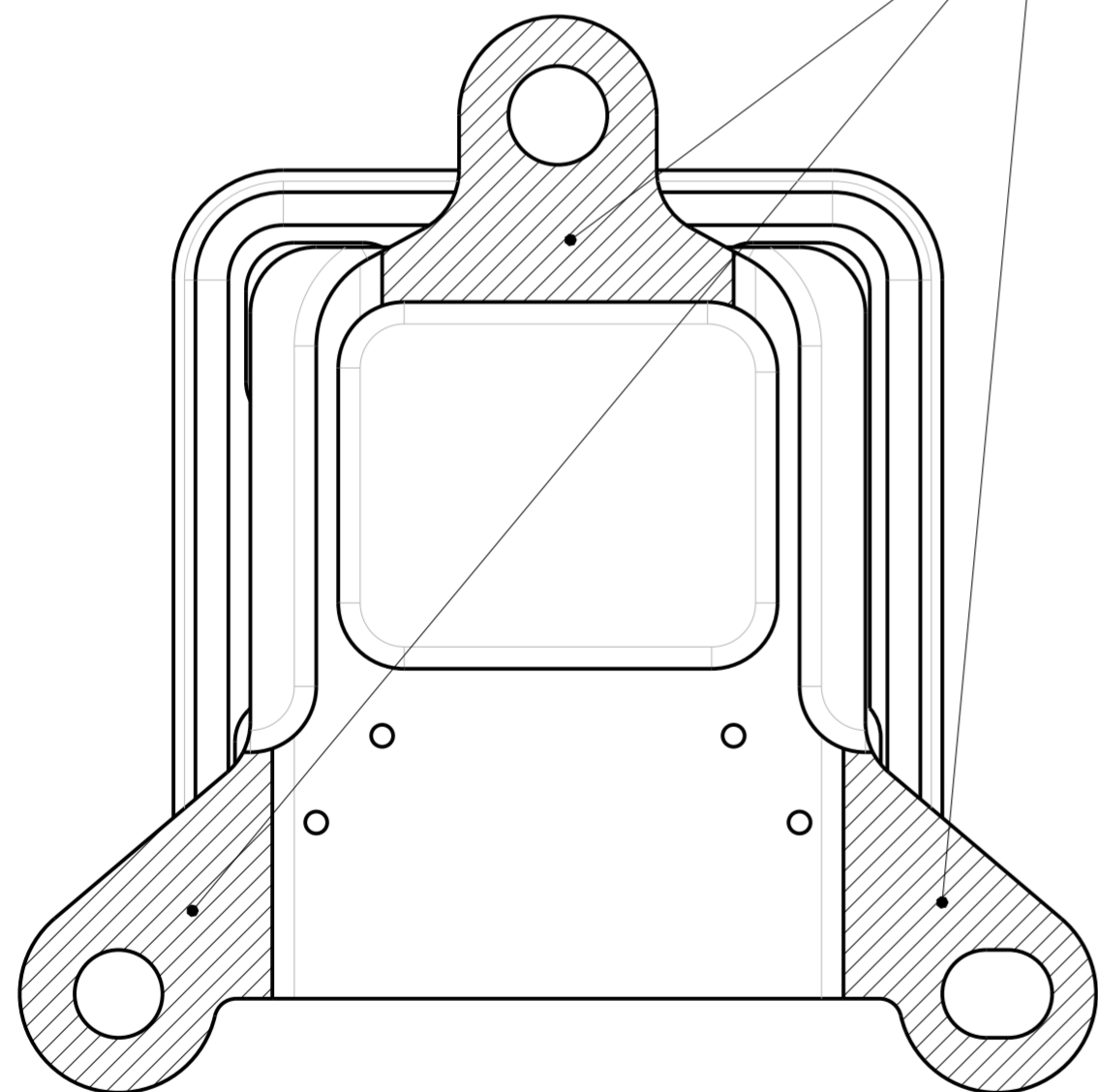
PRINCIPAL MOMENTS OF INERTIA WITH RESPECT TO
TEMPERATURE REFERENCE POINT COORDINATE SYSTEM (kg·mm²)

lxx 1.50e+01
lyy 1.76e+01
lzz 2.87e+01

PRINCIPAL MOMENTS OF INERTIA AT CENTER OF GRAVITY WITH RESPECT TO
TEMPERATURE REFERENCE POINT COORDINATE SYSTEM (kg·mm²)

lxx 4.98e+00
lyy 3.83e+00
lzz 7.77e+00

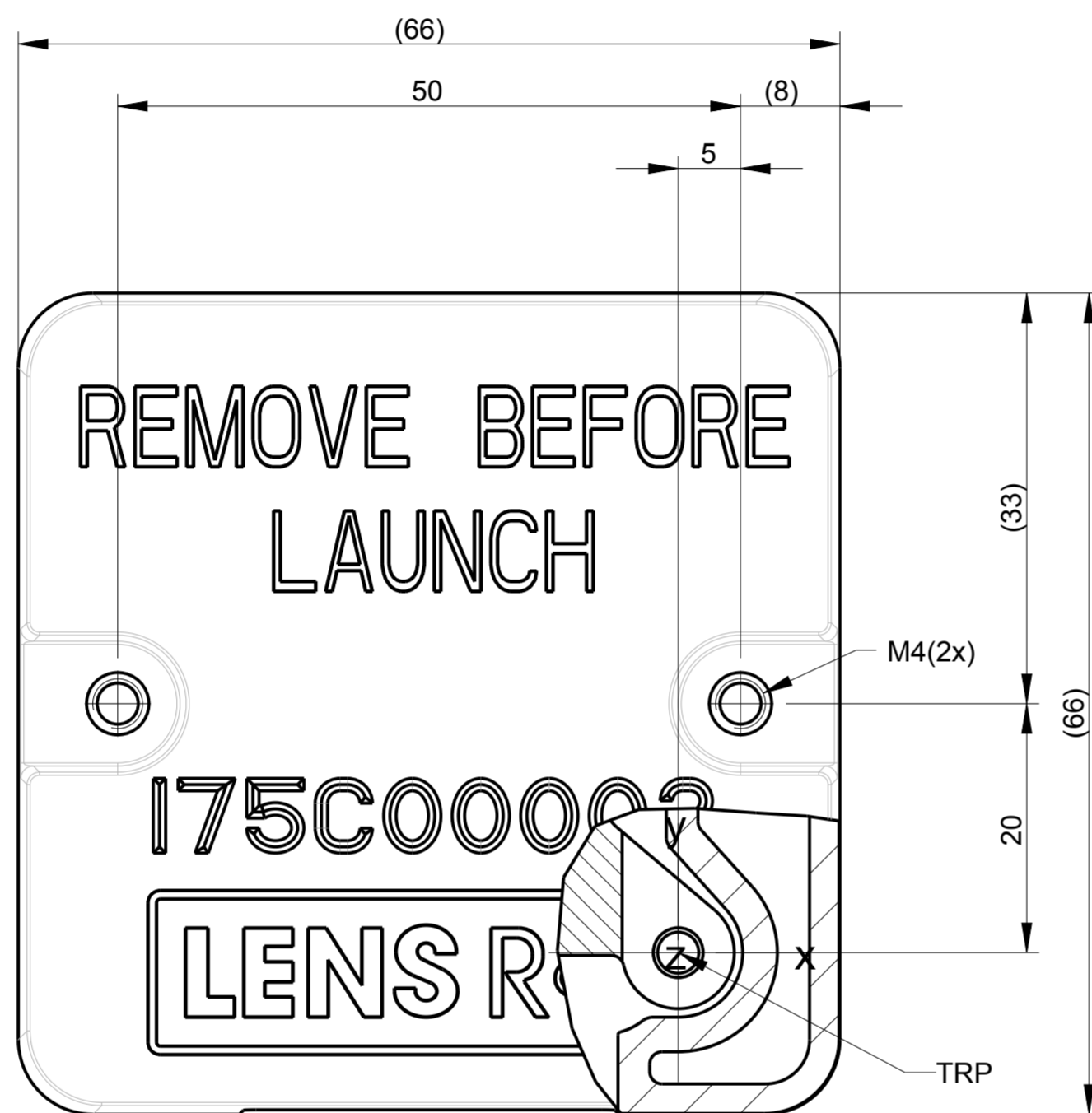
TOTAL SURFACE AREA
310,7 mm²



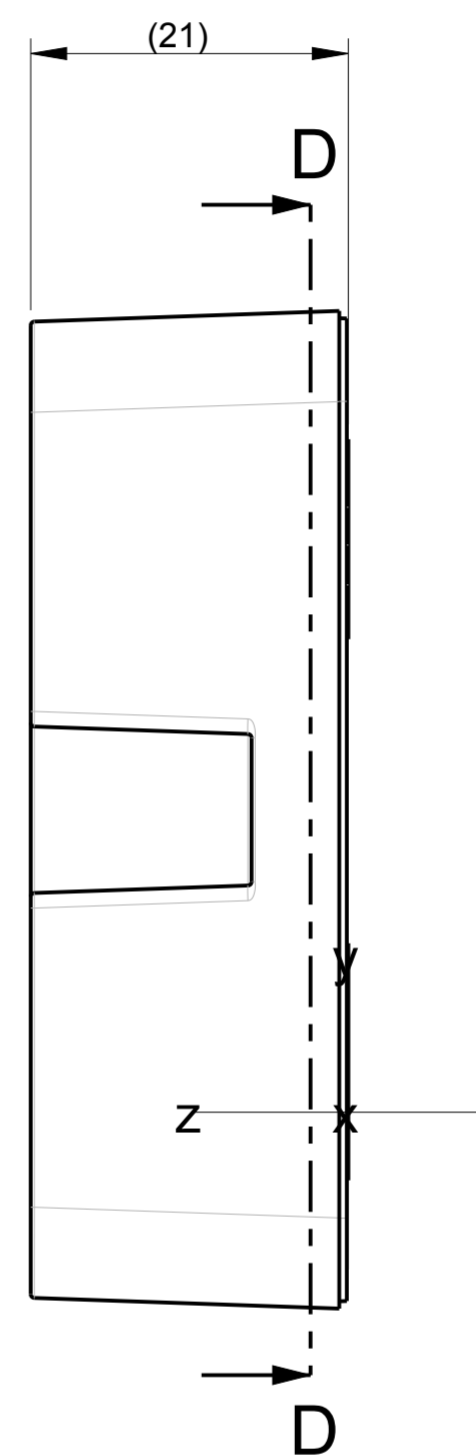
The copying, distribution and utilization of this document as well as the communication of its contents to others without expressed authorization is prohibited. Offenders will be held liable for the payment of damages. All rights reserved.

				General Tolerances ISO 2768-fK		Material	
				Surface Tolerances DIN ISO 1302		Finish -	
				Mass 31 ± 2 gr		Description Baffle assembly ICD Drawing	
Drawn	04-04-17	ALIN	3:1	Projection	A2	Drawing Number 150T70103	
Checked	04-04-17	KLI	Project Name BiSon64-ET-B			Sheet 4	
Modified	29-05-19	AAN	Project Number 150T001xx			of 5	
Norm	-	-				Replaces: -	
Rel.level	Production					Derived from: -	

PROTECTION COVER MOUNTING DETAILS



D-D



The copying, distribution and utilization of this document as well as the communication of its contents to others without expressed authorization is prohibited. Offenders will be held liable for the payment of damages. All rights reserved.

				General Tolerances		Material	
				ISO 2768-fK			
				Surface Tolerances		Finish	
				DIN ISO 1302		-	
				Mass		Description	
				31 ± 2 gr		Baffle assembly	
				Projection		ICD Drawing	
				A2			
Drawn	Date	Name	Scale	Project Name		Drawing Number	
04-04-17	04-04-17	ALIN	3:1	BiSon64-ET-B		150T70103	
Checked	04-04-17	KLI	Project Number		Sheet		
Modified	29-05-19	AAN	150T001xx		5		
Norm	-	-	Rel.level		of 5		
Production					Replaces: -		Derived from: -

LENS R&D